



# CHEST FREEZERS

**SAFETY INFORMATION** .....3

USING THE FREEZER  
 Operation.....5  
 Features .....5  
 Defrosting Instructions.....7

CARE AND CLEANING.....8

INSTALLATION.....10

TROUBLESHOOTING TIPS ...11  
 Normal Operating Characteristics.....13

WARRANTY .....15

CONSUMER SUPPORT .....16

**OWNER'S MANUAL  
AND INSTALLATION  
INSTRUCTIONS**

Chest—Manual Defrost Models:  
FCM16, FCM22

**ENGLISH/FRANÇAIS/  
ESPAÑOL**

Write the model and serial numbers here:

Model # \_\_\_\_\_

Serial # \_\_\_\_\_

You can find the rating label on the right hand side of the freezer above the machine compartment cover.

## **THANK YOU FOR MAKING GE APPLIANCES A PART OF YOUR HOME.**

---

Whether you grew up with GE Appliances, or this is your first, we're happy to have you in the family.

We take pride in the craftsmanship, innovation and design that goes into every GE Appliances product, and we think you will too. Among other things, registration of your appliance ensures that we can deliver important product information and warranty details when you need them.

Register your GE appliance now online. Helpful websites and phone numbers are available in the Consumer Support section of this Owner's Manual. You may also mail in the pre-printed registration card included in the packing material.



**GE APPLIANCES**

# IMPORTANT SAFETY INFORMATION

## READ ALL INSTRUCTIONS BEFORE USING THE APPLIANCE

**⚠ WARNING** To reduce the risk of fire, explosion, electric shock, or injury when using your freezer, follow these basic safety precautions:

- This freezer must be properly installed and located in accordance with the Installation Instructions before it is used.
- Unplug the freezer before making repairs or cleaning.  
**NOTE:** Power to the freezer cannot be disconnected by any setting on the control panel.  
**NOTE:** Repairs must be performed by a qualified Service Professional.
- Replace all parts and panels before operating.
- Do not store or use gasoline or other flammable vapors and liquids in the vicinity of this or any other appliance.
- Do not store explosive substances such as aerosol cans with a flammable propellant in this appliance.
- Do not use an extension cord.
- To prevent suffocation and entrapment hazards to children, remove the lid from any freezer before disposing of it or discontinuing its use.
- To avoid serious injury or death, children should not stand on, or play in or with the appliance.
- Children and persons with reduced physical, sensory or mental capabilities or lack of experience and knowledge can use this appliance only if they are supervised or have been given instructions on safe use and understand the hazards involved.
- This appliance is intended to be used in household and similar applications such as: staff kitchen areas in shops, offices and other working environments; farm houses; by clients in hotels, motels, bed & breakfast and other residential environments; catering and similar non-retail applications.

**⚠ CAUTION** To reduce the risk of injury when using your freezer, follow these basic safety precautions.

- Do not clean freezer with warm water when it is cold. Components may break if exposed to sudden temperature changes or impact, such as bumping or dropping.
- Keep fingers out of the “pinch point” areas; clearances between the lid and cabinet are necessarily small. Be careful closing lid when children are in the area.
- Do not touch the cold surfaces in the freezer compartment when hands are damp or wet, skin may stick to these extremely cold surfaces.
- Do not refreeze frozen foods which have thawed completely.

### STATE OF CALIFORNIA PROPOSITION 65 WARNINGS:

**⚠ WARNING** This product contains one or more chemicals known to the State of California to cause cancer and birth defects or other reproductive harm.

## INSTALLATION

**⚠ WARNING**  **EXPLOSION HAZARD**

Keep flammable materials and vapors, such as gasoline, away from freezer. Failure to do so can result in fire, explosion, or death.

# READ AND SAVE THESE INSTRUCTIONS

# IMPORTANT SAFETY INFORMATION

## READ ALL INSTRUCTIONS BEFORE USING THE APPLIANCE

### CONNECTING ELECTRICITY

#### **⚠ WARNING** ELECTRICAL SHOCK HAZARD

Plug into a grounded 3-prong outlet.

Do not remove the ground prong.

Do not use an adapter.

Do not use an extension cord.

Failure to follow these instructions can result in death, fire, or electrical shock.

**Do not, under any circumstances, cut or remove the third (ground) prong from the power cord. For personal safety, this appliance must be properly grounded.**

The power cord of this appliance is equipped with a 3-prong (grounding) plug which mates with a standard 3-prong (grounding) wall outlet to minimize the possibility of electric shock hazard from this appliance.

Have the wall outlet and circuit checked by a qualified electrician to make sure the outlet is properly grounded.

Where a standard 2-prong wall outlet is encountered, it is your personal responsibility and obligation to have it replaced with a properly grounded 3-prong wall outlet.

The freezer should always be plugged into its own individual electrical outlet which has a voltage rating that matches the rating plate.

A 115 Volt AC, 60 Hz, 15- or 20-amp fused, grounded electrical supply is required. This provides the best performance and also prevents overloading house wiring circuits which could cause a fire hazard from overheated wires.

Never unplug your freezer by pulling on the power cord. Always grip plug firmly and pull straight out from the outlet.

Immediately discontinue use of a damaged supply cord. If the supply cord is damaged, it must be replaced by a qualified service professional with an authorized service part from the manufacturer.

When moving the freezer away from the wall, be careful not to roll over or damage the power cord.

### PROPER DISPOSAL OF YOUR OLD APPLIANCE

#### **⚠ WARNING** SUFFOCATION AND ENTRAPMENT HAZARD

Failure to follow these disposal instructions can result in death or serious injury

**IMPORTANT:** Child entrapment and suffocation are not problems of the past. Junked or abandoned appliances are still dangerous even if they will sit for "just a few days." If you are getting rid of your old appliance, please follow the instructions below to help prevent accidents.

#### **Before You Throw Away Your Old Freezer:**

- Take off the freezer lid.
- Leave the baskets in place so that children may not easily climb inside.

#### **Refrigerant and Foam Disposal:**

Dispose of appliance in accordance with Federal and Local Regulations. Flammable insulation material used requires special disposal procedures. Contact your local authorities for the environmentally safe disposal of your appliance.

## READ AND SAVE THESE INSTRUCTIONS

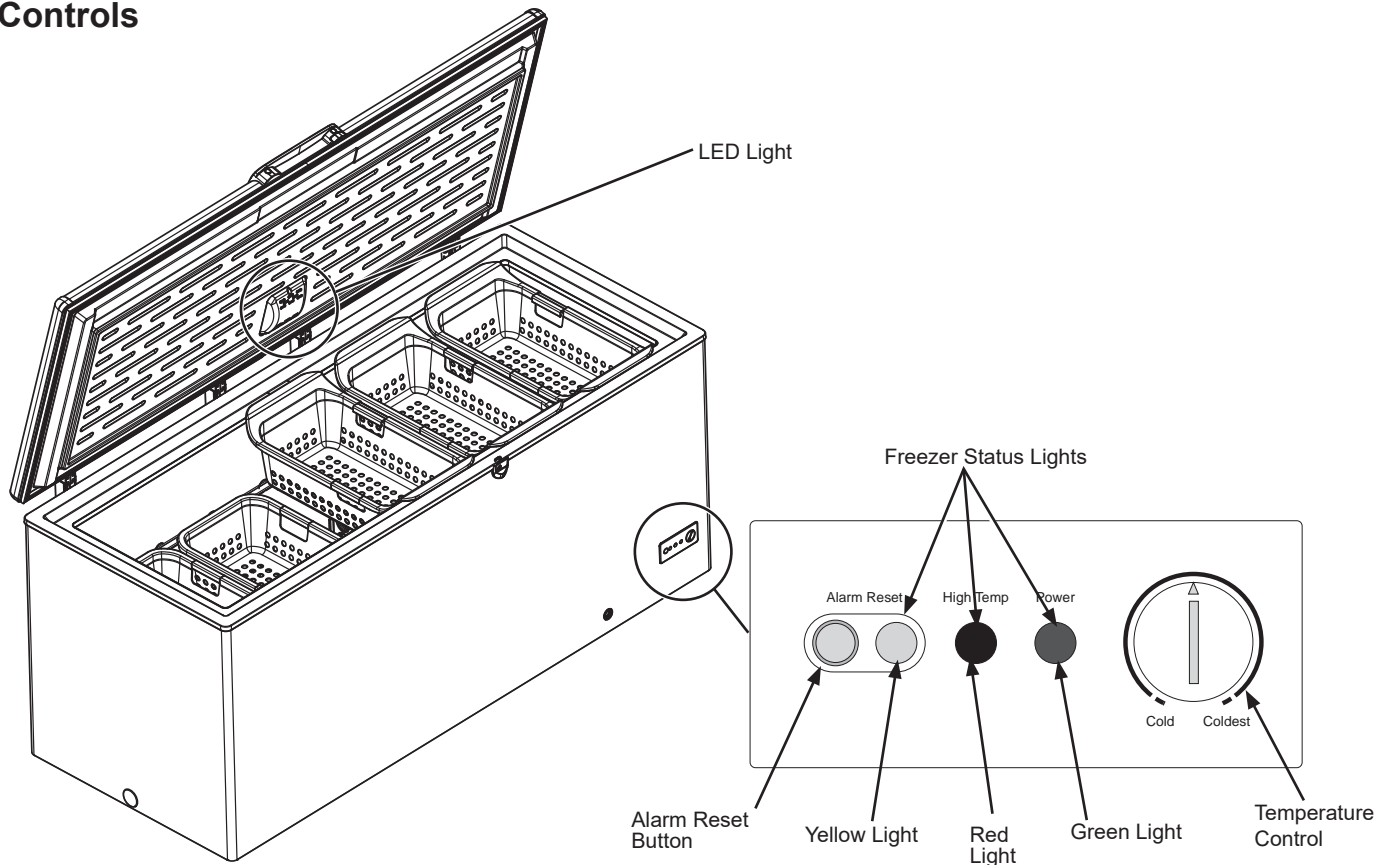
# Operation

## Starting the Freezer

1. Clean the inside of the freezer with a mild solution of baking soda and water (see Care and Cleaning).
2. Connect cord to power outlet.
3. Make sure the temperature control is set the midpoint between Cold and Coldest.
4. Allow freezer to operate for at least 6 to 8 hours before placing food inside.

# Features

## Controls



### Freezer Status Lights

**RED:** The red light will turn on automatically when the temperature of the freezer is too high, above 23°F (-5°C) for 60 minutes. It will go off once the temperature is below 20°F (-7°C).

**YELLOW:** The yellow light will flash when the red temperature light is on. You must press the Alarm Reset Button to turn the yellow light off. If the yellow light is flashing and the red temperature light is off, you have experienced a home power loss. You must press the **Alarm Reset Button** to turn the yellow light off.

**GREEN:** The green light is the indicator light and assures you that your freezer is running. If the indicator light is not glowing, immediately check for power interruption, unplugged power cord, open circuit breaker, blown fuse, or burned out indicator light. If the light is burned out, contact service for a replacement.

### Alarm

Audio alarm indicates that the freezer temperature is too high.

### Alarm Reset Button

Push the Alarm Reset button to turn the alarm off. Once the button is pushed, the yellow light will stop flashing and the alarm will shut off.

### Temperature Control Dial

Turn using a coin in the slot to adjust the freezer temperature between Cold and Coldest.

### **⚠ WARNING**

Freezer must be unplugged to avoid electrical hazard from power source when installing, cleaning or repairing the freezer

# Features

---

## Recommended Grounding Method

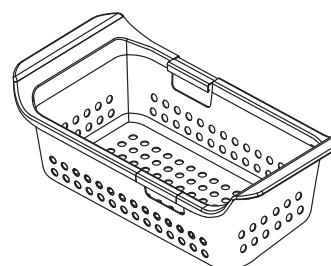
A 115 Volt, 60 Hz, AC only, 15- or 20-amp fused, grounded electrical supply is required. It is recommended that a separate circuit serving only your freezer be provided. Use an outlet that cannot be turned off by a switch Do not use an extension cord.

---

## Sliding Basket

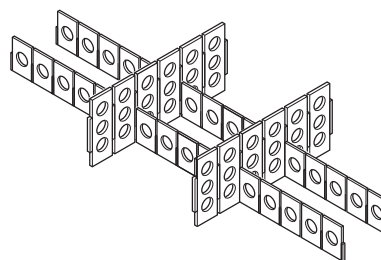
Store small packages in the basket to avoid losing them in the bottom of the freezer. The basket can be moved from side to side or it can be removed when loading or unloading the food below it.

To remove basket, lift it straight up and out. To replace basket, lower basket back into place.



## Divider (Optional)

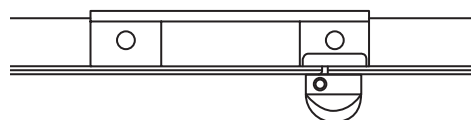
On some models there is a divider in the bottom of the unit. If divider is used, follow the assembly instructions included with the divider.



## Key Eject Lock

The lock is spring loaded so the key cannot be left in the lock. To lock or unlock, press the key in while turning. If the key is lost, contact your dealer for a replacement or go to [GEApplianceParts.com](http://GEApplianceParts.com). Always give the model and serial number of the freezer when requesting a replacement key.

**⚠ WARNING** To prevent a child from being entrapped, keep the key out of reach of children and away from the freezer.



# Defrosting Instructions

In most climates, defrosting will be necessary only about twice a year.

To have your freezer operate most efficiently, do not permit more than 1/4" (6 mm) thickness of frost, on average, to accumulate on the walls.

To remove frost, scrape with a plastic or wood spatula or scraper.

**Do not use an ice pick, metal, or sharp-edged instrument** as it may damage or scratch the freezer.

**Do not use boiling water** as it may damage the freezer.

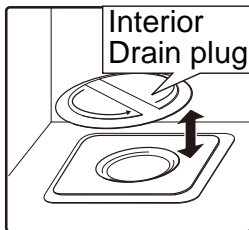
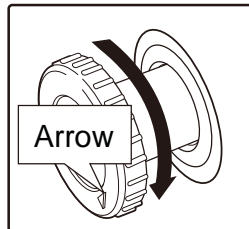
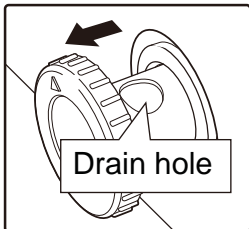
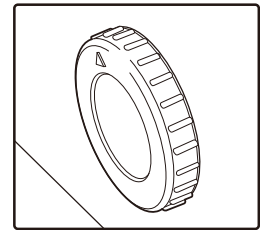
**Do not use any electrical device in defrosting your freezer.**

## For Complete Defrosting

1. Turn the temperature control to far left COLD setting and unplug the freezer.
2. Remove all food and place it in corrugated boxes, insulated bags, picnic coolers, etc. Use towels and newspapers for insulation as needed.
3. Place a tray (not included) in front of the freezer, beneath the exterior drain plug to collect the water. Pull out the drain plug about 1" until the drain hole on the plug shows completely. Turn the drain plug clockwise until the arrow is pointed down. Unscrew counterclockwise to remove the interior drain plug. This allows the water to flow out into the tray.

**NOTE:** Water that has accumulated at the bottom of the freezer during defrosting will drain into the tray. Monitor the tray under the drain to avoid overflow.

4. With the lid open, you may choose to use pans of hot tap water (less than 120° F) to speed defrosting. Directing air from an electric fan into the freezer will also help. Do not place fan or any electrical device in the freezer. Remove large pieces before they melt.
5. Wipe water from walls with a towel or sponge.
6. After defrosting, clean the inside of the freezer (see Care and Cleaning).
7. Replace the drain plugs.
8. Plug in the freezer. Return the temperature control to its previous position and return food to the freezer.



**⚠ WARNING** Freezer must be unplugged to avoid electrical hazard from power source when defrosting unit.

# Care And Cleaning

---

## Cleaning Your Freezer

- **Outside.** Protect the paint finish. The finish on the outside of the freezer is a high quality, baked-on paint finish. With proper care, it will stay new-looking and rust-free for years. Apply a coat of appliance polish wax when the freezer is new and then at least twice a year. Appliance polish wax also works well to remove tape residue from freezer surfaces.

**Keep the finish clean.** Wipe with a clean cloth lightly dampened with appliance polish wax or mild liquid dishwashing detergent. Dry and polish with a clean, soft cloth. Do not wipe the freezer with a soiled dishwashing cloth or wet towel. Do not use scouring pads, powdered cleaners, bleach, or cleaners containing bleach.

**NOTICE:** Care should be taken in moving the freezer away from the wall. All types of floor coverings can be damaged, particularly cushioned coverings and those with embossed surfaces.

- **Inside.** Clean the inside of your freezer at least once a year. We recommend that the freezer be unplugged before cleaning. If this is not practical, wring excess moisture out of sponge or cloth when cleaning in the vicinity of switches, lights or controls.

Use warm water and baking soda solution—about a tablespoon of baking soda to a quart of water. Rinse thoroughly with water and wipe dry. Do not use cleaning powders or other abrasive cleaners. **DO NOT** wash removable parts in a dishwasher.

An open box of baking soda in the freezer will absorb stale freezer odors. Change the box every three months.

**▲ CAUTION** Damp objects stick to cold metal surfaces. **DO NOT** touch interior metal surfaces with wet or damp hands.

---

## In Case of Extended Power Failure

- Keep freezer lid closed. Your freezer will keep food frozen for 24 hours provided warm air is not admitted.
- If freezer is out of operation for 24 hours or more, add dry ice. Leave ice in large pieces. Add more ice as required.

**▲ CAUTION** Handling of dry ice can cause freezing of the hands—gloves or other protection is recommended.

- If dry ice is not available, move food to a frozen food locker temporarily—until power is restored.

---

## Preparing to Move

Disconnect the power cord plug from the wall outlet. Remove foods, defrost (on Manual Defrost models) and clean the freezer.

Secure all loose items such as baskets by taping them securely in place to prevent damage.

Be sure freezer stays in upright position during actual moving and during transportation. The freezer must be secured during transportation to prevent movement. Protect outside of freezer with blanket.



# Care And Cleaning

---

## Preparing for Vacation

To maintain freezer in operation during vacations, be sure your house power is not turned off. For sure protection of freezer contents, you may want to ask a neighbor to check the power supply and freezer operation every 24 hours.

For extended vacations or absences, you may prefer to move your frozen foods to a storage locker temporarily. If your freezer is to be left empty, disconnect power cord plug from wall outlet. To prevent formation of odors, place open box of baking soda in freezer and leave freezer lid open.

---

## Save Money and Energy

- The freezer should be located in the coolest area of the room, away from heat-producing appliances or heating ducts, and out of direct sunlight.
- Let hot foods cool to room temperature before placing in the freezer. Overloading the freezer forces the compressor to run longer. Foods that freeze too slowly may lose quality or spoil.



- Be sure to wrap foods properly, and wipe containers dry before placing them in the freezer. This cuts down on frost buildup inside the freezer.
- Freezer baskets should not be lined with aluminum foil, wax paper or paper towels. Liners interfere with cold air circulation, making the freezer less efficient.
- Organize and label food to reduce lid openings and extended searches. Remove as many items as needed at one time, and close the lid as soon as possible.

# Preparing of Installation

Read these instructions completely and carefully.

## Freezer Location

Your freezer should be conveniently located for day-to-day use in a dry, well-ventilated room.

Do not install the freezer where the temperature will go below 0°F (-18°C) or above 110°F (43°C), because it will not maintain proper temperatures.

Do not install the freezer in a location exposed to rain water or direct sunlight.

Be sure to install your freezer on a floor strong enough to support it when it is fully loaded.

## Level Freezer

Level the freezer from side to side and front to back so that the lid will seal properly. Use shims to level the freezer if necessary.

**NOTE:** It should not be necessary to remove the lid during installation. If, for some reason, the hinges need adjustment, call a professional service company..

## Clearances and Ventilation

Allow at least 2" (50.8 mm) clearance on both sides of the freezer and 2" (50.8 mm) between the back of the freezer and the wall. Leave room above the freezer to open the lid.

Keep flammable materials and vapors, such as gasoline, away from freezer.

Do not cover the freezer with items such as blankets, sheets, tablecloths, etc. This reduces air circulation.

## Lid Removal

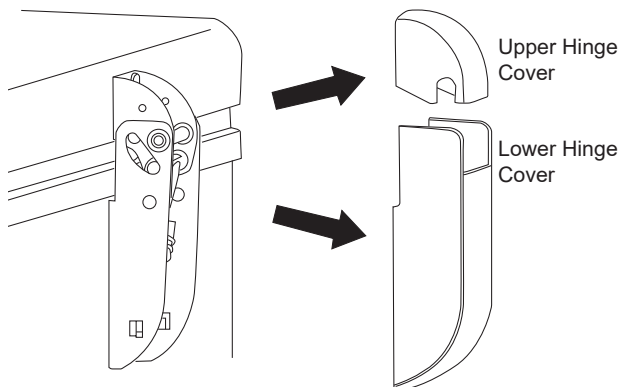
### ⚠ CAUTION LIFTING HAZARD

The lid is heavy. Use both hands to secure the lid before lifting.

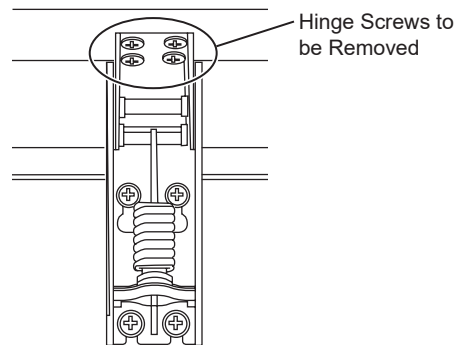
### ⚠ CAUTION HINGE SPRING UNDER TENSION

If it is necessary to remove the lid, follow these steps:

1. Remove the lower part of the hinge cover and then remove the upper part.



2. Open the lid to the maximum position. (The hinges are loosest at this position.)
3. Remove the 4 screws from the upper part of the hinge and lid. The 16' freezer has 3 hinges and the 22' freezer has 4 hinges total.



4. To reinstall lid follow steps in reverse. Tighten all hinge screws but avoid over-tightening to prevent stripping. Reinstall hinge covers.

# Troubleshooting Tips... Before you call for service

Save time and money! Review the charts on the following pages first and you may not need to call for service.

Problem	Possible Causes	What To Do
Freezer does not operate	Temperature control set to Cold position.	Move the control to a colder temperature setting.
	Freezer is unplugged.	Push the plug completely into the outlet.
	The fuse is blown/circuit breaker is tripped.	Replace fuse or reset the breaker.
Freezer starts/stops too frequently	Lid left open.	Check to see if package is holding lid open.
	Too frequent or too long lid openings.	Open the lid less often.
	Temperature control set too cold.	See About the operation of your freezer.
Freezer operates too long	Lid left open.	Check to see if package is holding lid open.
	Too frequent or too long lid openings.	Open the lid less often.
	Temperature control set too cold.	See About the operation of your freezer.
	Inadequate air circulation space around cabinet.	See Preparing to install the freezer.
	Room or outside weather is hot.	It's normal for the freezer to work harder under these conditions.
	Freezer has been disconnected recently for a period of time.	It takes 6-8 hours for the freezer to cool down completely.
	Large amounts of warm or hot food have been stored recently.	Warm food will cause the freezer to run more until the desired temperature is reached
Noisy operation or cabinet vibrates	Floor may be weak, causing freezer to vibrate when compressor is on.	Check to make sure freezer is located on solid floor and use shims, as needed, to level the unit.
	Cabinet is not positioned solidly on floor.	See Preparing to install the freezer. Use shims, as needed, to level the unit.
	Freezer is touching the wall.	Level freezer or move slightly. See Level Freezers.
Freezer temperature too warm	Lid left open.	Check to see if package is holding lid open.
	Too frequent or too long lid openings.	Open the lid less often.
	Temperature control is set too warm.	Turn control to a colder setting. Allow several hours for the temperature to stabilize.
	Large amounts of water or hot food may have been stored recently.	Wait until the freezer has had a chance to reach its selected temperature.
	Freezer has been disconnected recently.	Freezer requires 6-8 hours to cool down completely.
Foods defrosting	Temperature control set to Cold position.	Move the control to a colder temperature setting.
	Freezer is unplugged.	Push the plug completely into the outlet.
	The fuse is blown/circuit breaker is tripped.	Replace fuse or reset the breaker.
	Lid left open.	Check to see if package is holding lid open.
	Too frequent or too long lid openings.	Open the lid less often.
Freezer temperature too cold	Temperature control set too cold.	See About the operation of your freezer.

## Troubleshooting Tips... Before you call for service

Problem	Possible Causes	What To Do
Moisture forms on outside of cabinet	Not unusual during periods of high humidity.	Wipe surface dry.
	Lid may not be seating properly, causing cold air from inside the freezer to meet warm moist air from the outside.	See Preparing to install the freezer.
Interior light does not work	No power at outlet.	Replace fuse or reset the breaker.
	Freezer is unplugged.	Push the plug completely into the outlet.
Lid won't fully close by itself	Package holding lid open.	Move package to a different location.
Slow starting time after being off	Built-in overload protection.	This is normal after being off.
Excessive frost buildup	Lid left open.	Check to see if package is holding lid open.
	Too frequent or too long lid openings.	Open the lid less often.
	Not unusual during periods of high humidity.	Wipe surface dry.
Freezer external surface temperature is warm	The external freezer walls can be as much as 30°F warmer than room temperature.	This is normal while the compressor works to transfer heat from inside the freezer cabinet.
Louder sound levels whenever freezer is on	Modern freezers have increased storage capacity and more stable temperatures. They require a high-efficiency compressor.	This is normal. When the surrounding noise level is low, you might hear the compressor running while it cools the interior.
Higher sound levels when compressor comes on	Freezer operates at higher pressures during the start of the ON cycle.	This is normal. Sound will level off or disappear as freezer continues to run.
Popping or cracking sound when compressor comes on	Metal parts undergo expansion and contraction, as in hot water pipes.	This is normal. Sound will level off or disappear as freezer continues to run.
Bubbling or gurgling sound, like boiling water	Refrigerant (used to cool freezer) is circulating throughout the system.	This is normal.
Moisture forms on inside freezer walls	Weather is hot and humid, which increases internal rate of frost buildup.	This is normal.
	Lid may not be seating properly.	See Preparing to install the freezer.
	Lid is kept open too long, or is opened too frequently.	Open the lid less often.
Odors in freezer	Interior needs to be cleaned.	Clean interior with sponge, warm water and baking soda.
	Foods with strong odors are in the freezer.	Cover the food tightly.

# Troubleshooting Tips... Before you call for service

---

## **Normal Operating Characteristics**

These things are normal and do not indicate a need for service.

- A warm cabinet exterior as the refrigeration system transfers heat from the inside to the outside through the exterior cabinet walls.
- The sound of the high-efficiency compressor motor.



# Freezer Warranty

## GEAppliances.com

All warranty service is provided by our Factory Service Centers, or an authorized Customer Care® technician. To schedule service online, visit us at [www.geappliances.com](http://www.geappliances.com), or call GE Appliances at 800.GE.CARES (800.432.2737). Please have your serial number and your model number available when calling for service. In Canada, call 800.661.1616.

For the Period of:	GE Appliances Will Replace
<b>One Year</b> From the date of the original purchase	<b>Any part</b> of the freezer which fails due to a defect in materials or workmanship. During the <b>limited one-year warranty</b> , GE will also provide, free of charge, all labor and related service to replace the defective part.

### What GE Appliances Will Not Cover:

- Service trips to your home to teach you how to use the product.
- Improper installation, delivery or maintenance.
- Failure of the product if it is abused, misused, or used for other than the intended purpose or used commercially.
- Loss of food due to spoilage.
- Damage caused after delivery.
- Replacement of house fuses or resetting of circuit breakers.
- Damage to the product caused by accident, fire, floods or acts of God.
- Incidental or consequential damage caused by possible defects with this appliance.
- Product not accessible to provide required service.

### EXCLUSION OF IMPLIED WARRANTIES

Your sole and exclusive remedy is product repair as provided in this Limited Warranty. Any implied warranties, including the implied warranties of merchantability or fitness for a particular purpose, are limited to one year or the shortest period allowed by law.

**For US Customers:** This warranty is extended to the original purchaser and any succeeding owner for products purchased for home use within the USA. If the product is located in an area where service by a GE Appliances Authorized Servicer is not available, you may be responsible for a trip charge or you may be required to bring the product to an Authorized GE Appliances Service location for service. In Alaska, the warranty excludes the cost of shipping or service calls to your home.

Some states do not allow the exclusion or limitation of incidental or consequential damages. This warranty gives you specific legal rights, and you may also have other rights which vary from state to state. To know what your legal rights are, consult your local or state consumer affairs office or your state's Attorney General.

**Warrantor: GE Appliances, a Haier company**

**For Customers in Canada:** This warranty is extended to the original purchaser and any succeeding owner for products purchased in Canada for home use within Canada. In-home warrant service will be provided in areas where it is available and deemed reasonable by Mabe to provide.

**Warrantor Canada: MC Commercial, Burlington, Ontario, L7R 5B6**

Staple your receipt here. Proof of the original purchase date is needed to obtain service under the warranty.

# Consumer Support

---

## GE Appliances Website

Have a question or need assistance with your appliance? Try the GE Appliances Website 24 hours a day, any day of the year! You can also shop for more great GE Appliances products and take advantage of all our on-line support services designed for your convenience. In the US: **GEAppliances.com** In Canada: **GEAppliances.ca**

---

## Register Your Appliance

Register your new appliance on-line at your convenience! Timely product registration will allow for enhanced communication and prompt service under the terms of your warranty, should the need arise. You may also mail in the pre-printed registration card included in the packing material.

In the US: **GEAppliances.com/register**

In Canada: **Prodsupport.mabe.ca/crm/Products/ProductRegistration.aspx**

---

## Schedule Service

Expert GE Appliances repair service is only one step away from your door. Get on-line and schedule your service at your convenience any day of the year. In the US: **GEAppliances.com/ge/service-and-support/service.htm** or call 800.432.2737 during normal business hours.

In Canada: **GEAppliances.ca/en/support/service-request** or call 800.561.3344

---

## Extended Warranties

Purchase a GE Appliances extended warranty and learn about special discounts that are available while your warranty is still in effect. You can purchase it on-line anytime. GE Appliances Services will still be there after your warranty expires. In the US: **GEAppliances.com/ge/service-and-support/shop-for-extended-service-plans.htm** or call 800.626.2224 during normal business hours.

In Canada: **GEAppliances.ca/en/support/purchase-extended-warranty** or call 800.290.9029

---

## Parts and Accessories

Individuals qualified to service their own appliances can have parts or accessories sent directly to their homes (VISA, MasterCard and Discover cards are accepted). Order on-line today 24 hours every day.

In the US: **GEApplianceparts.com** or by phone at 877.959.8688 during normal business hours.

**Instructions contained in this manual cover procedures to be performed by any user. Other servicing generally should be referred to qualified service personnel. Caution must be exercised, since improper servicing may cause unsafe operation.**

Customers in Canada should consult the yellow pages for the nearest Mabe service center, visit our website at **GEAppliances.ca/en/products/parts-filters-accessories** or call 800.661.1616.

---

## Contact Us

If you are not satisfied with the service you receive from GE Appliances, contact us on our Website with all the details including your phone number, or write to:

In the US: General Manager, Customer Relations | GE Appliances, Appliance Park | Louisville, KY 40225

**GEAppliances.com/ge/service-and-support/contact.htm**

In Canada: Director, Consumer Relations, Mabe Canada Inc. | Suite 310, 1 Factory Lane | Moncton, N.B. E1C 9M3

**GEAppliances.ca/en/contact-us**





# CONGÉLATEURS HORIZONTAUX

<b>MESURES DE SÉCURITÉ</b> .....	3
UTILISATION DU CONGÉLATEUR	
Fonctionnement. ....	5
Fonctionnalités .....	5
Directives de dégivrage. ....	7
<b>ENTRETIEN ET NETTOYAGE</b> .....	8
INSTALLATION. ....	10
CONSEILS DE DÉPANNAGE ..	11
Caractéristiques normales de fonctionnement. ....	13
GARANTIE. ....	15
SOUTIEN AU CONSOMMATEUR .....	16

## MANUEL D'UTILISATION ET D'INSTALLATION

Modèles horizontaux, à dégivrage  
non automatique :  
FCM16, FCM22

**FRANÇAIS**

Inscrivez les numéros de modèle et  
de série ici :

Numéro de modèle : \_\_\_\_\_

Numéro de série : \_\_\_\_\_

Vous trouverez l'étiquette  
signalétique sur le côté droit  
du congélateur au-dessus du  
couvercle du compartiment  
machine.

## **NOUS VOUS REMERCIONS D'ACCUEILLIR GE APPLIANCES CHEZ VOUS**

---

Que vous ayez grandi avec GE Appliances ou qu'il s'agisse de votre première acquisition, nous sommes heureux de vous accueillir dans notre famille.

Nous sommes fiers du savoir-faire, de l'innovation et de l'esthétique qui composent chaque appareil GE Appliances, et nous pensons que vous le serez aussi. Dans cette optique, nous vous rappelons que l'enregistrement de votre électroménager vous assure la communication de renseignements importants sur le produit et la garantie lorsque vous en avez besoin.

Enregistrez votre électroménager GE en ligne dès maintenant. Des sites Web et des numéros de téléphone utiles figurent dans la section Soutien au consommateur de ce manuel d'utilisation. Vous pouvez aussi poster la fiche de garantie pré-imprimée incluse dans l'emballage.



**GE APPLIANCES**

# INSTRUCTIONS IMPORTANTES DE SÉCURITÉ

## LIRE TOUTES LES INSTRUCTIONS AVANT D'UTILISER L'APPAREIL

**⚠ AVERTISSEMENT** Pour réduire le risque d'incendie, d'explosion, de choc électrique ou de blessures lorsque vous utilisez votre congélateur, veuillez suivre ces consignes de sécurité :

- Ce congélateur doit être correctement installé conformément aux Consignes d'Installation avant toute utilisation.
- Débranchez le congélateur avant d'effectuer une réparation, de remplacer une ampoule ou de le nettoyer.  
**Remarque** : L'alimentation du congélateur ne peut être déconnectée par aucune des fonctions sur le panneau de commande.  
**Remarque** : Les réparations doivent être effectuées par un professionnel qualifié.
- Remettez toutes les pièces et panneaux en place avant d'utiliser l'appareil.
- Abstenez-vous d'entreposer ou d'utiliser de l'essence ou d'autres vapeurs et liquides inflammables aux alentours de cet électroménager ou d'autres appareils.
- N'entreposez pas dans cet électroménager des substances explosives telles que des bombes aérosols qui contiennent un gaz propulseur.
- N'utilisez pas de cordon de rallonge.
- Pour éviter tout risque de suffocation ou d'enfermement, retirez le couvercle d'un congélateur avant de le mettre au rebut ou si vous arrêtez de l'utiliser.
- Afin de prévenir les accidents graves ou la mort, les enfants ne doivent pas se tenir ni jouer dans ou sur l'électroménager.
- Les enfants et les personnes dont les capacités sont réduites sur le plan physique, sensoriel ou mental, ou qui manquent d'expérience ou de connaissances, peuvent utiliser cet électroménager seulement si elles sont surveillées ou ont reçues des consignes de sécurité sur son usage et les risques y sont associés.
- Cet électroménager est conçu pour une utilisation domestique et applications similaires : salle du personnel dans une usine, un bureau ou d'autres lieux de travail; maison de ferme; clients dans un hôtel, un motel, un gîte touristique et d'autres lieux résidentiels; approvisionnement et applications similaires non reliées au commerce de détail.

**⚠ ATTENTION** Pour réduire le risque de blessures lorsque vous utilisez votre congélateur, veuillez suivre les consignes de sécurité suivantes :

- Ne nettoyez pas le congélateur avec de l'eau tiède quand celui-ci est froid. Les composants peuvent se casser s'ils sont exposés à des changements soudains de température ou si vous les cognez ou les faites tomber.
- Éloignez les doigts des parties du congélateur où l'on peut facilement se pincer : les espaces entre le couvercle et la cuve sont toujours étroits. Soyez prudent lorsque vous fermez le couvercle en présence d'enfants.
- Ne touchez pas les surfaces froides du congélateur lorsque vous avez les mains humides ou mouillées. La peau risque d'adhérer à ces surfaces extrêmement froides.
- Ne recongelez pas les aliments surgelés qui ont complètement dégelé.

### AVERTISSEMENTS DE LA PROPOSITION 65 DE L'ÉTAT DE LA CALIFORNIE:

**⚠ AVERTISSEMENT** Ce produit contient une ou plusieurs substances chimiques reconnues par l'État de Californie pour causer le cancer et des anomalies congénitales ou d'autres problèmes liés à la reproduction.

## INSTALLATION

**⚠ AVERTISSEMENT**  **Risque d'explosion.**

Conservez les matériaux et vapeurs inflammables tels que l'essence à l'écart de votre appareil. Une explosion, un incendie voire la mort pourrait en résulter.

# LIRE ET CONSERVER CES INSTRUCTIONS

# INSTRUCTIONS IMPORTANTES DE SÉCURITÉ

## LIRE TOUTES LES INSTRUCTIONS AVANT D'UTILISER L'APPAREIL

### BRANCHEMENTS ÉLECTRIQUES

#### ⚠ AVERTISSEMENT



#### RISQUE DE CHOC ÉLECTRIQUE.

Branchez l'appareil dans une prise triple avec terre.

Ne retirez pas la broche de terre.

N'utilisez pas d'adaptateur.

N'utilisez pas de cordon de rallonge.

Le non-respect de ces instructions peut entraîner des risques d'incendies, des chocs électriques ou la mort.

**Ne coupez ni retirez en aucun cas la troisième broche (mise à la terre) de la fiche du cordon d'alimentation. Pour votre sécurité, cet appareil doit être correctement mis à la terre.**

Le cordon d'alimentation de cet appareil est muni d'une fiche à 3 broches (mise à la terre) qui se branche dans une prise murale ordinaire à 3 alvéoles (mise à la terre) pour réduire au minimum les risques de chocs électriques.

Faites examiner la prise de courant et le circuit par un électricien qualifié pour vous assurer que la prise est correctement mise à la terre.

Dans le cas d'une prise biphasée, l'installateur a la responsabilité et l'obligation de la remplacer par une prise triphasée correctement mise à la terre. N'utilisez pas d'adaptateur.

Le congélateur doit toujours être branché dans sa propre prise de courant, dont la tension nominale est identique à celle indiquée sur la plaque signalétique.

Une alimentation électrique à 115 volts CA, 60 Hz, avec un fusible de 15 ou 20 ampères et une mise à la terre est nécessaire. Ceci permet d'obtenir un meilleur rendement et évite de surcharger les circuits électriques du domicile qui risque d'occasionner un incendie en surchauffant.

Ne débranchez jamais le congélateur en tirant sur le cordon d'alimentation. Saisissez fermement la fiche du cordon et tirez droit pour la retirer de la prise.

Cessez immédiatement d'utiliser un cordon électrique endommagé. Si le cordon électrique est endommagé, son remplacement doit être effectué par un technicien en réparation qualifié au moyen d'un cordon de rechange autorisé par le fabricant.

Lorsque vous déplacez votre congélateur du mur, faites attention de ne pas le faire rouler sur le cordon d'alimentation afin de ne pas l'endommager.

### MISE AU REBUT APPROPRIÉE DE VOTRE ANCIEN CONGÉLATEUR

#### ⚠ AVERTISSEMENT

#### RISQUE DE SUFFOQUER OU D'Y ÊTRE EMPRISONNÉ

Le non-respect de ces instructions d'élimination peut entraîner la mort ou des blessures graves.

**IMPORTANT:** Les enfants pris au piège ou morts d'asphyxie sont toujours d'actualité. Les réfrigérateurs et congélateurs abandonnés sont toujours aussi dangereux, même si on n'attend que «quelques jours» pour s'en débarrasser. Si vous ne gardez pas votre ancien réfrigérateur ou congélateur, veuillez suivre les directives ci-dessous afin de prévenir les accidents.

**Avant de vous débarrasser de votre ancien réfrigérateur ou congélateur :**

- Démontez le couvercle du congélateur.
- Laissez les clayettes en place afin d'empêcher les enfants de grimper à l'intérieur.

#### Mise au rebut des produits réfrigérants et en mousse

Mettez l'électroménager au rebut conformément à la réglementation fédérale et locale. Les matières isolantes inflammables utilisées exigent des procédures de mise au rebut spéciales. Communiquez avec les autorités locales pour connaître la façon de mettre votre électroménager au rebut qui soit respectueuse de l'environnement.

## LIRE ET CONSERVER CES INSTRUCTIONS

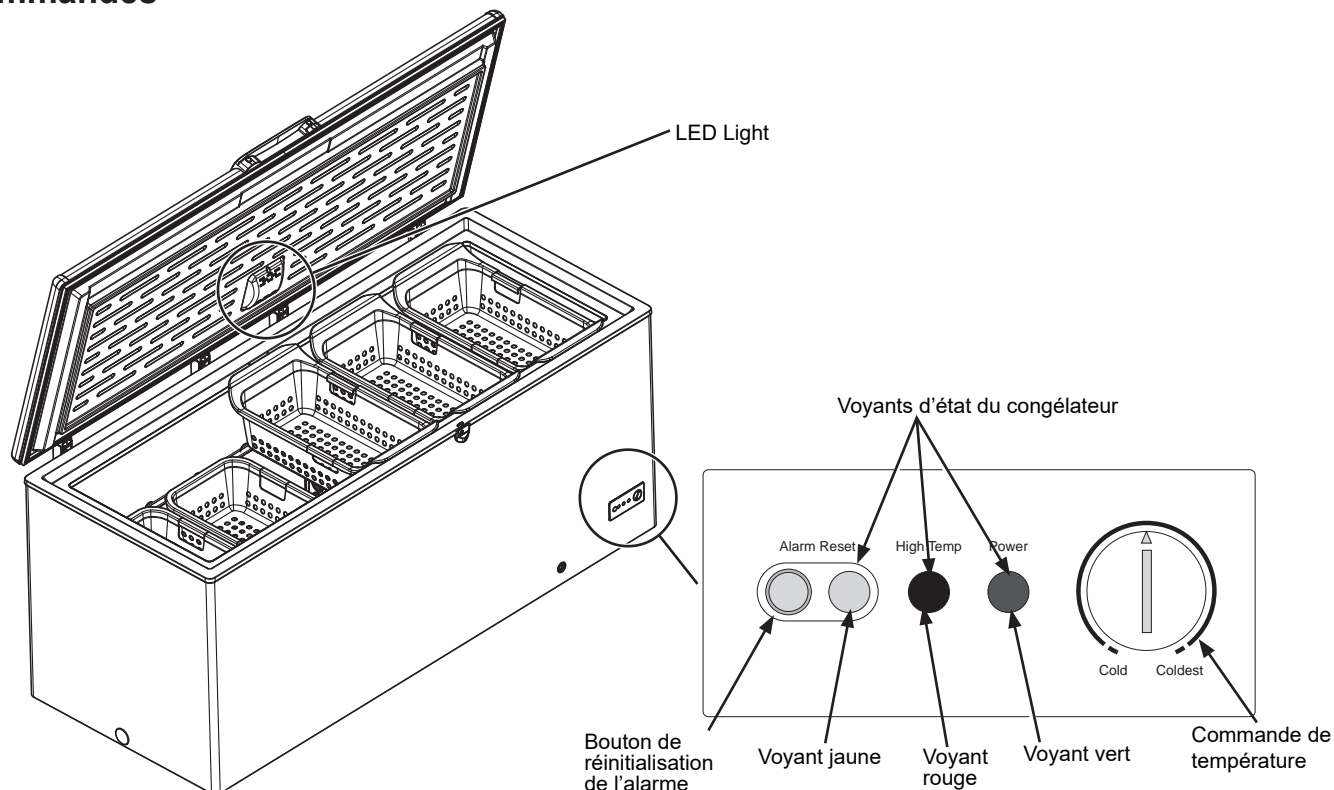
# Fonctionnement

## Mise en marche du congélateur

1. Nettoyez l'intérieur du congélateur avec une solution de bicarbonate de soude et d'eau (voir la section Entretien et nettoyage).
2. Branchez le cordon d'alimentation dans une prise de courant.
3. Assurez-vous que la commande de température est réglée à mi-parcours entre Cold (Froid) et Coldest (Le plus froid).
4. Laissez fonctionner le congélateur pendant au moins quatre heures avant d'y ranger des aliments.

## Fonctionnalités

### Commandes



#### Voyants d'état du congélateur

**ROUGE** : Le voyant rouge s'allume automatiquement lorsque la température du congélateur est trop élevée, au-dessus de  $-5^{\circ}\text{C}$  ( $23^{\circ}\text{F}$ ) pendant 60 minutes. Il s'éteindra lorsque la température passera sous  $-7^{\circ}\text{C}$  ( $20^{\circ}\text{F}$ ).

**JAUNE** : Le voyant jaune clignote lorsque le voyant rouge s'allume à une. Vous devez appuyer sur le bouton de réinitialisation de l'alarme pour éteindre le voyant jaune. Si le voyant jaune clignote et le voyant de température rouge est éteint, le domicile a subi une panne. Il faut appuyer sur le bouton de réinitialisation de l'alarme pour éteindre le voyant jaune.

**VERT** : Le voyant vert est un indicateur qui s'assure que votre congélateur fonctionne. Si ce voyant est éteint, vérifiez immédiatement les causes possibles : panne de courant, cordon d'alimentation débranché, disjoncteur déclenché, fusible grillé ou ampoule de voyant brûlée. Dans ce dernier cas, communiquez avec le service pour un remplacement.

#### Alarme

L'alarme auditive indique que la température du congélateur est trop élevée.

#### Bouton de réinitialisation de l'alarme

Poussez ce bouton pour arrêter l'alarme. Le voyant jaune cessera de clignoter et l'alarme, de retentir.

#### Cadran de commande de température

Insérez une pièce de monnaie dans la fente du cadran pour régler la température entre Cold (Froid) et Coldest (Le plus froid).

#### ⚠ AVERTISSEMENT

Le congélateur doit être débranché pour se prémunir contre le risque de choc électrique lors de l'installation, du nettoyage ou de la réparation du congélateur.

## Fonctionnalités

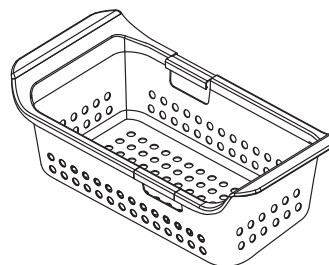
### Mise à la terre recommandée

Une alimentation électrique de 115 volts CA, 60 Hz, avec un fusible de 15 ou 20 ampères et une mise à la terre est nécessaire. Il est recommandé d'utiliser un circuit distinct pour alimenter uniquement votre congélateur. Utilisez une prise murale sans interrupteur. N'utilisez pas de rallonge.

### Panier coulissant

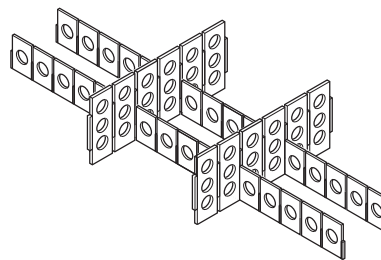
Rangez les aliments de petite taille dans le panier pour éviter de les perdre au fond du congélateur. Il est possible de déplacer le panier de gauche à droite ou de le retirer pour attraper ou déposer des aliments rangés en dessous de ce même panier.

Pour retirer le panier, soulevez-le et retirez-le simplement. Pour remettre le panier en place, posez celui-ci à son emplacement.



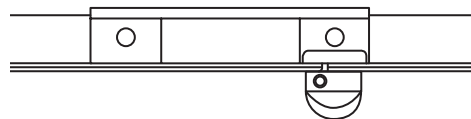
### Diviseur (Facultatif)

Sur certains modèles, un diviseur se trouve dans le fond de l'appareil. Si le diviseur est utilisé, suivez les instructions d'assemblage incluses avec le diviseur.



### Verrou à éjection de clé

La serrure est équipée d'un ressort de sorte que la clé ne peut être laissée dans la serrure. Pour verrouiller ou déverrouiller, appuyez sur la clé tout en tournant. Si vous égarez la clé, contactez votre revendeur pour une clé de rechange ou allez sur [GEApplianceParts.com](http://GEApplianceParts.com). Donnez toujours le nom du modèle et le numéro de série du congélateur lorsque vous demandez une clé de rechange.



#### **⚠ AVERTISSEMENT**

Pour prévenir l'enfermement des enfants, gardez la clé hors de portée des enfants, à distance du congélateur.

# Directives de dégivrage

Dans la plupart des climats, il faut dégivrer l'appareil seulement deux fois par année.

Pour un fonctionnement efficace de votre congélateur, ne laissez pas s'accumuler plus de 1/4 po (6 mm) d'épaisseur de givre, en moyenne, sur les clayettes.

Pour enlever le givre, grattez avec un grattoir ou une spatule en plastique ou en bois.

N'utilisez jamais un pic à glace, un objet métallique, ou un instrument à vive arête. Ils pourraient endommager ou rayer le congélateur.

N'utilisez pas d'eau bouillante car elle peut endommager le congélateur.

N'utilisez pas de dispositifs électriques pour dégivrer votre congélateur.

## Dégivrage complet

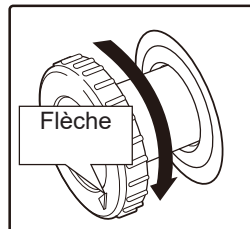
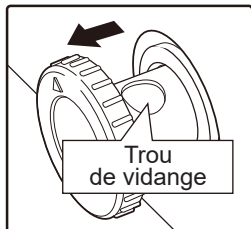
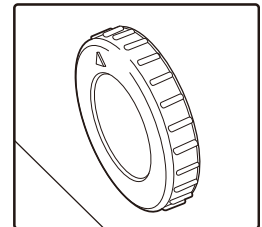
1. Tournez la commande de température à l'extrême gauche sur la position COLD (Froid) et débranchez le congélateur.
2. Retirez tous les aliments de l'appareil et placez-les dans des boîtes en carton ondulé, des sacs isolants, des glacières, etc. Enveloppez-les dans des couvertures ou des journaux pour les isoler, au besoin.
3. Placez un bac (non inclus) devant le congélateur, sous le bouchon de vidange extérieur afin de recueillir l'eau. Tirez ce bouchon sur environ 2,5 cm (1 po) jusqu'à ce que le trou de vidange soit totalement visible. Tournez le bouchon dans le sens des aiguilles de façon que la flèche pointe vers le bas. Dévissez dans le sens contraire des aiguilles pour retirer le bouchon de drainage intérieur. Cela permet à l'eau de s'écouler dans le bac.

**REMARQUE :** L'eau qui s'est accumulée dans le fond du congélateur pendant la dégivrage se vidangera dans le bac. Surveillez ce dernier sous le trou de vidange pour prévenir le débordement.

4. Avec le couvercle ouvert, vous pouvez choisir d'utiliser une casserole d'eau chaude du robinet (moins de 49 °C / 120 °F) pour accélérer le dégivrage. De même, vous pouvez diriger l'air d'un ventilateur électrique dans le congélateur pour accélérer le dégivrage. Ne placez pas le ventilateur ou tout autre appareil électrique dans le congélateur.

Retirez les gros morceaux de glace avant qu'ils ne fondent.

5. Essuyez l'eau des parois à l'aide d'une serviette ou d'une éponge.
6. Après le dégivrage, nettoyez l'intérieur du congélateur (voir la section Entretien et nettoyage).
7. Remplacez les bouchons de vidange.
8. Branchez le congélateur. Réglez à nouveau la température sur sa position précédente et remettez les aliments dans le congélateur.



### ⚠ AVERTISSEMENT

Le congélateur doit être débranché pendant le dégivrage pour éviter les risques d'électrocution provenant de l'alimentation.

## Conseils de dépannage

### Nettoyage de votre congélateur

■ **Extérieur.** Protégez le fini de l'appareil. La carrosserie du congélateur est recouverte d'une peinture de haute qualité, cuite au four. Si vous l'entretenez de la façon appropriée, le fini ne rouillera pas et conservera son aspect neuf pendant des années. Appliquez une couche de cire pour électroménagers lorsque vous recevez votre appareil et, par la suite, au moins deux fois par année. La cire pour électroménagers se révèle également efficace pour enlever les résidus de ruban gommé sur les surfaces du congélateur.

**Gardez le fini propre.** Essuyez-le avec un linge propre légèrement humecté de cire pour électroménagers ou de détergent liquide doux pour la vaisselle. Essuyez et polissez avec un linge doux et propre. N'essuyez pas le congélateur avec un linge à vaisselle sale ou une serviette humide. N'utilisez pas de tampons à récurer, de produits nettoyants en poudre, de javellisants ou de produits nettoyants contenant du javellissant.

**REMARQUE :** Faites attention lorsque vous éloignez le congélateur du mur, car vous risquez d'endommager le revêtement de sol, plus particulièrement ceux qui sont coussinés ou dont la surface est gaufrée.

■ **Intérieur.** Nettoyez l'intérieur de votre congélateur au moins une fois par année. Nous vous recommandons de débrancher l'appareil avant le nettoyage. Si cela est trop difficile, tordez bien votre linge ou votre éponge pour enlever l'excès d'eau lorsque vous nettoyez autour des interrupteurs, des lampes et des commandes.

Nettoyez à l'aide d'une solution d'eau chaude et de bicarbonate de soude— environ 1 cuillère à soupe (15 ml) de bicarbonate par pinte (litre) d'eau. Rincez à fond avec de l'eau et essuyez. N'utilisez pas de poudres à récurer ni de produits nettoyants abrasifs. NE lavez PAS les parties amovibles dans le lave-vaisselle.

Laissez une boîte ouverte de bicarbonate de soude dans le congélateur pour absorber les odeurs. Remplacez la boîte tous les trois mois.

**ATTENTION** Les objets humides adhèrent aux surfaces métalliques froides. NE touchez PAS les surfaces métalliques à l'intérieur du congélateur avec les mains mouillées ou humides.

### Lors d'une panne de courant prolongée

- Gardez le couvercle du congélateur fermé. Votre congélateur peut garder les aliments congelés pendant 24 heures lorsque le couvercle n'est pas ouvert.
- Si le congélateur ne fonctionne pas pendant plus de 24 heures, ajoutez de la glace sèche. Placez de gros morceaux de glace dans l'appareil. Ajoutez-en davantage au besoin.

**ATTENTION** La manipulation de glace sèche peut causer des gelures aux mains—il est recommandé de porter des gants ou autre équipement de protection.

- Si vous ne disposez pas de glace sèche, enlevez les aliments et placez-les temporairement dans une armoire pour produits congelés jusqu'à ce que le courant soit rétabli.

### Déménagement

Débranchez le cordon d'alimentation de la prise murale. Retirez tous les aliments, faites dégivrer (sur les modèles à Dégivrage non automatique), puis nettoyez le congélateur.

Fixez toutes les pièces mobiles, telles que le panier,, en les immobilisant à l'aide de ruban gommé afin d'éviter de les endommager.

Assurez-vous que le congélateur reste en position verticale pendant tout déplacement et pendant le transport. Le congélateur doit être sanglé pendant le transport pour éviter tout mouvement. Protégez l'appareil à l'aide d'une couverture.



# Conseils de dépannage

## Lorsque vous partez en vacances

Pour assurer le bon fonctionnement de votre congélateur pendant vos vacances, assurez-vous que l'alimentation secteur de votre résidence n'est pas coupée. Pour assurer la protection des denrées dans votre congélateur, vous pouvez demander à un voisin de vérifier toutes les 24 heures l'alimentation électrique et le fonctionnement de votre congélateur.

Lorsque vous vous absentez pendant une période prolongée, il peut être préférable de ranger temporairement vos aliments congelés dans une armoire de rangement pour produits congelés. Si vous laissez votre congélateur vide, débranchez le cordon d'alimentation de la prise de courant. Pour prévenir la formation d'odeurs, placez une boîte ouverte de bicarbonate de soude dans le congélateur et laissez le couvercle de l'appareil ouvert.

## Économisez argent et énergie

- Le congélateur doit être placé dans la zone la plus froide de la pièce, éloigné de tout appareil produisant de la chaleur, de tuyauteries de chauffage et à l'écart de la lumière directe du soleil.
- Laissez les aliments chauds refroidir à température ambiante avant de les placer dans le congélateur. Si vous surchargez votre congélateur, le compresseur fonctionnera pendant plus longtemps. Les aliments congelés trop lentement risquent de perdre leur qualité ou de se gâter.



- Assurez-vous de correctement envelopper les aliments et séchez bien les récipients avant de les placer dans le congélateur. Ceci évitera l'accumulation de givre dans le congélateur.
- Les paniers du congélateur ne doivent pas être recouvertes de papier aluminium, de papier ciré ou de papier absorbant. Les films protecteurs interfèrent avec la circulation d'air froid rendant votre congélateur moins efficace.
- Organisez et étiquetez vos aliments pour réduire les ouvertures de porte et les recherches de longues durées. Retirez autant d'articles nécessaires en une seule fois et refermez le couvercle aussi rapidement que possible.

# Préparatifs pour l'installation

**Veillez lire toutes les directives attentivement.**

## Emplacement du congélateur

Votre congélateur doit être installé à un endroit pratique, en vue d'une utilisation quotidienne, dans une pièce bien aérée où l'air est sec.

N'installez pas votre congélateur dans l'endroit où la température est au-dessous de 0° F (-18° C) ou au-dessus de 110° F (43° C) parce qu'il ne maintiendra pas les températures appropriées.

N'installez pas le congélateur dans un endroit exposé à l'eau de pluie ou aux rayons directs du soleil.

Assurez-vous que le plancher sur lequel sera installé votre congélateur est suffisamment solide pour le supporter lorsqu'il est plein.

## Mettez le congélateur de niveau

Mettez le congélateur de niveau, entre la droite et la gauche ainsi qu'entre l'avant et l'arrière pour que le couvercle se ferme correctement. Utilisez des cales pour mettre le congélateur de niveau si nécessaire.

**REMARQUE :** Il ne devrait pas être nécessaire de retirer le couvercle pendant l'installation. Si, pour quelque raison que ce soit, les charnières nécessitent un ajustement, contactez un professionnel.

## Dégagements et ventilation

Laissez un espace d'au moins 2 po (50.8 mm) des deux côtés du congélateur et de 2 po (50.8 mm) entre l'arrière du congélateur et le mur. Laissez assez de place au-dessus du congélateur pour ouvrir le couvercle.

Conservez les matériaux et vapeurs inflammables tels que l'essence à l'écart de votre congélateur.

Ne couvrez pas le congélateur avec des objets tels que couvertures, draps, nappes ou autres. Cela réduit la circulation de l'air.

## Démontage du couvercle

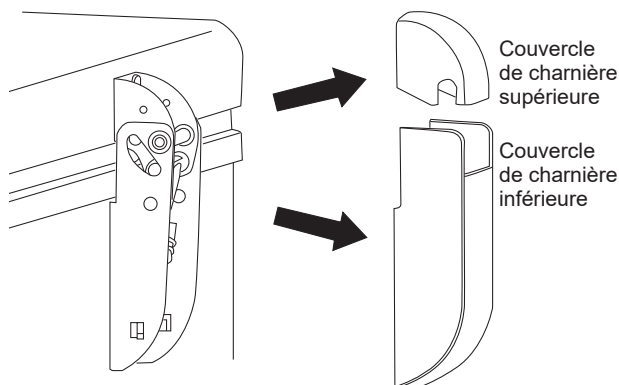
### **ATTENTION** RISQUE ASSOCIÉ À UN POIDS LOURD

Le couvercle est lourd. Utilisez les deux mains pour bien agripper le couvercle avant de le soulever.

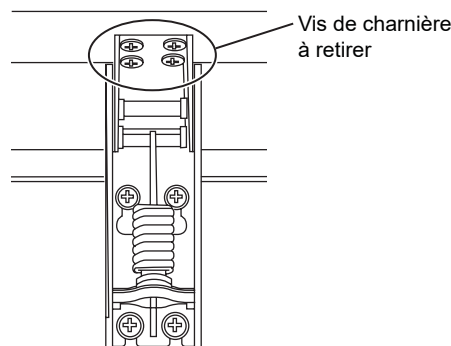
### **ATTENTION** RESSORT DE CHARNIÈRE SOUS TENSION

S'il est nécessaire de retirer le couvercle, suivez les étapes suivantes :

1. Retirez la partie inférieure du couvercle de charnière puis la partie supérieure



2. Ouvrez le couvercle au maximum. (Les charnières sont moins serrées dans cette position.)
3. Retirez les 4 vis de la partie supérieure de la charnière et du couvercle. Le congélateur de 4,9 m (16 pi) comporte 3 charnières et le congélateur de 6,7 m (22 pi) en comporte 4 au total.



4. Pour reposer le couvercle, suivez les étapes dans l'ordre inverse. Serrez toutes les vis de charnière mais évitez de trop serrer pour ne pas fausser le filetage. Reposez les couvercles de charnière.

# Conseils de dépannage... Avant de faire un appel de service

Économisez temps et argent! Consultez d'abord les tableaux des pages suivantes et vous pourriez vous éviter un appel de service.

Problème	Causes possibles	Correctifs
Le congélateur ne fonctionne pas ou le voyant march-arrêt n'est pas allumé	Commande de température réglée à OFF (éteint) ou O.	Régalez la commande de température sur une température plus basse.
	Le congélateur n'est pas branché.	Enfoncez bien la fiche dans la prise murale.
	Le fusible est grillé/le disjoncteur est déclenché.	Remplacez le fusible ou réenclenchez le disjoncteur.
Le congélateur se met en marche et s'arrête trop fréquemment	Porte ou couvercle laissé ouvert.	Vérifiez qu'il n'y a pas un paquet qui empêche le couvercle de se fermer.
	Ouverture trop fréquente ou trop prolongée du couvercle.	Ouvrez moins fréquemment le couvercle.
	Commande réglée à une température trop basse.	Consultez Fonctionnement de votre congélateur.
Le congélateur fonctionne trop longtemps	Porte ou couvercle laissé ouvert.	Vérifiez qu'il n'y a pas un paquet qui empêche le couvercle de se fermer.
	Ouverture trop fréquente ou trop prolongée du couvercle.	Ouvrez moins fréquemment le couvercle.
	Commande réglée à une température trop basse.	Consultez Fonctionnement de votre congélateur.
	Circulation d'air inadéquate autour de l'appareil.	Consultez Préparatifs pour l'installation du congélateur.
	La température dans la pièce ou à l'extérieur est élevée.	C'est normal, le congélateur doit fonctionner plus longtemps dans ces conditions.
	Le congélateur a été récemment	Il faut 6-8 heures pour que le congélateur refroidisse complètement.
	De grosses quantités d'aliments tièdes ou chauds ont récemment été placées dans le congélateur.	Les aliments tièdes vont faire fonctionner le congélateur jusqu'à la température souhaitée soit atteinte.
Fonctionnement bruyant ou vibration de l'appareil	Le plancher peut manquer de solidité, ce qui fait vibrer le congélateur lorsque le compresseur fonctionne.	Assurez-vous que le congélateur est situé sur un plancher solide et utilisez des cales, au besoin, pour mettre l'appareil de niveau.
	L'appareil ne repose pas solidement sur le sol.	Voyez la section Préparatifs pour l'installation. Utilisez des cales, au besoin, pour mettre l'appareil de niveau.
	Le congélateur touche le mur.	Mettez le congélateur de niveau ou déplacez-le légèrement. Consultez Mise à niveau du congélateur.
Température trop élevée dans le congélateur	Porte ou couvercle laissé ouvert.	Vérifiez qu'il n'y a pas un paquet qui empêche le couvercle de se fermer.
	Ouverture trop fréquente ou trop prolongée du couvercle.	Ouvrez moins fréquemment le couvercle.
	La température est réglée sur une température trop élevée.	Régalez la commande sur une température plus basse. Attendez quelques heures pour que la température se stabilise.
	De grosses quantités d'eau ou d'aliments chauds ont récemment été placées dans le congélateur.	Attendez que le congélateur ait pu revenir à la température sélectionnée.
	Le congélateur a été récemment débranché.	Le congélateur met 6-8 heures pour refroidir complètement.
Les aliments dégèlent	Commande de température réglée à la position Cold (Froid).	Régalez la commande de température sur une température plus basse.
	Le congélateur n'est pas branché.	Enfoncez bien la fiche dans la prise murale.
	Le fusible est grillé/le disjoncteur est déclenché.	Remplacez le fusible ou réenclenchez le disjoncteur.
	Porte ou couvercle laissé ouvert.	Vérifiez qu'il n'y a pas un paquet qui empêche le couvercle de se fermer.
	Ouverture trop fréquente ou trop prolongée du couvercle.	Ouvrez moins fréquemment le couvercle.

## Conseils de dépannage... Avant de faire un appel de service

Problème	Causes possibles	Correctifs
Température trop basse dans le congélateur	Commande réglée à une température trop basse.	Consultez <i>Fonctionnement de votre congélateur</i> .
De la condensation se forme sur l'extérieur de l'appareil	Phénomène normal par temps très humide.	Essuyez bien l'extérieur.
	Le couvercle ne doit pas être complètement étanche et l'air froid du congélateur se mélange à l'air chaud et humide de l'extérieur.	Consultez Préparatifs pour l'installation du congélateur.
La lampe intérieure ne s'allume pas	Pas de courant à la prise.	Remplacez le fusible ou réenclenchez le disjoncteur.
	Le congélateur n'est pas branché.	Branchez la fiche comme il faut dans la prise de courant.
Le couvercle ne se ferme pas complètement de lui-même	Un paquet empêche le couvercle de se fermer.	Déplacez le paquet.
Remise en marche lente après une période de non-fonctionnement	Dispositif intégré de protection contre les surcharges.	Ceci est normal après que le congélateur ait été arrêté.
Accumulation excessive de givre	Porte ou couvercle laissé ouvert.	Vérifiez qu'il n'y a pas un paquet qui empêche le couvercle de se fermer.
	Ouverture trop fréquente ou trop prolongée du couvercle.	Ouvrez moins fréquemment le couvercle.
	Phénomène normal par temps très humide.	Essuyez les surfaces.
La surface extérieure du congélateur est tiède	Les parois extérieures du congélateur peuvent dépasser de 30°F (environ 17°C) la température ambiante de la pièce.	C'est normal, le compresseur est en marche pour éliminer la chaleur de l'intérieur du congélateur.
Le niveau sonore est plus élevé lorsque le congélateur est en marche	Les congélateurs récents ont une plus grande capacité de stockage et des températures plus stables. Ceci nécessite un compresseur d'une grande efficacité.	C'est normal. Lorsque le bruit ambiant est faible, vous entendrez peut-être le compresseur lors du refroidissement du congélateur.
Le niveau sonore est plus élevé lorsque le compresseur démarre	Le compresseur fonctionne à des pressions plus élevées en début de cycle <i>ON</i> (Allumé).	C'est normal. Le bruit diminuera ou s'arrêtera lorsque le congélateur continuera à fonctionner.
Bruits secs et craquements lorsque le compresseur se met en marche	Les parties métalliques subissent des expansions et des contractions, comme dans les tuyauteries d'eau chaude.	C'est normal. Le bruit diminuera ou s'arrêtera lorsque le congélateur continuera à fonctionner.
Bruits de bouillonnement et de gargouillement, comme de l'eau en ébullition	Le réfrigérant (utilisé pour refroidir le congélateur) circule dans le système.	C'est normal.
La condensation se forme sur les parois internes du congélateur	Le temps est chaud et humide ce qui augmente la formation de givre à l'intérieur du congélateur.	C'est normal.
	Le couvercle n'est peut-être pas étanche.	Consultez <i>Préparatifs pour l'installation du congélateur</i> .
	Le couvercle est laissée ouverte trop longtemps ou est ouverte trop fréquemment.	Ouvrez moins fréquemment le couvercle .
Odeurs dans le congélateur	L'intérieur a besoin d'être nettoyé.	Nettoyez l'intérieur avec une éponge, de l'eau tiède et du bicarbonate de soude.
	Des aliments à fortes odeurs sont stockés dans le congélateur.	Couvrez correctement les aliments.

# Conseils de dépannage... Avant de faire un appel de service

---

## Caractéristiques normales de fonctionnement

Ces phénomènes sont normaux et n'indiquent pas un besoin de réparation.

- L'extérieur du congélateur devient chaud lorsque le système de réfrigération transfère la chaleur de l'intérieur vers l'extérieur à travers les parois extérieures du congélateur.
- Le son du moteur du compresseur à rendement hautement efficace.



# Garantie du congélateur

## electromenagersGE.ca

Toutes les réparations en vertu de la garantie sont fournis par nos Centre de Service d'Usine ou par un technicien autorisé Customer Care®. Pour prévoir une réparation, consultez notre site [electromenagersge.ca/fr/soutien/demande-de-service](http://electromenagersge.ca/fr/soutien/demande-de-service) ou appelez le **800.661.1616**. Veuillez avoir votre numéro de série et votre numéro de modèle à portée de main lorsque vous appelez pour obtenir un service.

<b>Pendant la période de garantie de :</b>	<b>GE Appliances remplacera :</b>
<b>Un An</b> A compter de la date d'achat initial	<b>Toute pièce</b> du congélateur qui s'avère défectueuse en raison d'un défaut de matériau ou de fabrication. Pendant la validité de la <b>présente garantie limitée</b> d'un an, GE Appliances fournira également gratuitement la main d'œuvre et le service pour réparer la pièce défectueuse.

### Ce qui n'est pas couvert par GE Appliances :

- Toute visite à votre domicile pour vous expliquer le fonctionnement de l'appareil.
- Mauvaise installation, livraison ou entretien.
- Toute défectuosité du produit lorsqu'il est utilisé de façon abusive, ou à des fins commerciales ou à toute autre fin que celle pour laquelle il a été conçu.
- Perte des aliments dûe à la détérioration.
- Dommage subi après la livraison.
- Le remplacement des fusibles ou le réenclenchement des disjoncteurs.
- Tout dommage au produit attribuable à un accident, un incendie, une inondation ou un cas de force majeure.
- Tout dommage direct ou indirect attribuable à une défectuosité éventuelle de l'appareil.
- Le service s'il est impossible d'avoir accès au produit pour ce faire.

### EXCLUSION DES GARANTIES TACITES

Votre recours exclusif est l'échange du produit suivant les modalités de la Garantie Limitée. Toutes garanties tacites, y compris les garanties de valeurs marchandes ou d'adéquation à des fins particulières, sont limitées à une durée d'un an ou à la durée la plus courte autorisée par la loi.

**Pour les clients des États-Unis :** Cette garantie est étendue à l'acheteur d'origine et aux propriétaires suivants pour tout produit acheté pour une utilisation domestique aux États-Unis. Si le produit est installé dans une région où ne se trouve aucun réparateur autorisé GE Appliances, vous devrez peut-être assumer les frais de transport ou apporter l'appareil à un centre de service autorisé GE Appliances. En Alaska, cette garantie exclut le coût d'expédition ou de dépannage à votre domicile. Certains états n'acceptent pas d'exclusion ou de limites aux dommages indirects consécutifs. Certains droits particuliers vous sont dévolus en vertu de la présente garantie et peuvent s'accompagner d'autres droits qui varient selon votre lieu de résidence. Pour connaître vos droits juridiques, veuillez consulter le bureau local ou le bureau d'état des affaires aux consommateurs ou le Procureur Général de votre état.

### Garant : GE Appliances, a Haier company

**Pour les clients des Canada:** Cette garantie est étendue à l'acheteur d'origine et aux propriétaires suivants pour tout produit acheté aux Canada pour une utilisation domestique aux Canada. Le service à domicile en vertu de la garantie sera fourni dans les régions où il est disponible et où Mabe estime raisonnable de le fournir.

### Garant Canada: MC Commercial, Burlington, Ontario, L7R 5B6

Agrafez votre facture ici. Pour bénéficier du service de réparation sous garantie, une preuve de la date d'achat initial est nécessaire.

# Soutien au consommateur

---

## Site Web de GE Appliances

Vous avez une question ou vous avez besoin d'aide pour votre appareil électroménager? Visitez le site Web de GE Appliances 24 heures par jour, tous les jours de l'année! Vous pouvez aussi y trouver d'autres formidables produits GE Appliances et tirer avantage de tous nos services d'assistance en ligne. Aux États-Unis : [GEAppliances.com](http://GEAppliances.com)  
Au Canada : [GEAppliances.ca](http://GEAppliances.ca)

---

## Enregistrez votre électroménager

Enregistrez votre nouvel appareil en ligne au moment qui vous convient le mieux! L'enregistrement de votre produit dans les délais prescrits permet une meilleure communication et un service rapide, selon les modalités de votre garantie, si besoin est. Vous pouvez également envoyer par courrier la carte d'enregistrement pré-imprimée qui se trouve dans l'emballage de votre appareil.

Aux États-Unis : [GEAppliances.com/register](http://GEAppliances.com/register)

Au Canada : [Prodsupport.mabe.ca/crm/Products/ProductRegistration.aspx](http://Prodsupport.mabe.ca/crm/Products/ProductRegistration.aspx)

---

## Service de réparation

Un service de réparation expert GE Appliances se trouve à quelques pas de chez vous. Rendez-vous sur notre site et programmez, à votre convenance, une visite de réparation à n'importe quel jour de l'année.

Aux États-Unis : [GEAppliances.com/ge/service-and-support/service.htm](http://GEAppliances.com/ge/service-and-support/service.htm) ou composez le 800.432.2737 durant les heures normales de bureau.

Au Canada : [GEAppliances.ca/en/support/service-request](http://GEAppliances.ca/en/support/service-request) ou composez le 800.561.3344

---

## Prolongation de garantie

Procurez-vous une prolongation de garantie GE Appliances et informez-vous des rabais spéciaux en vigueur pendant la durée de votre garantie. Vous pouvez vous la procurer en ligne en tout temps. Les services GE Appliances seront toujours disponibles après l'expiration de la garantie. Aux États-Unis :

[GEAppliances.com/ge/service-and-support/shop-for-extended-service-plans.htm](http://GEAppliances.com/ge/service-and-support/shop-for-extended-service-plans.htm) ou composez le 800.626.2224 durant les heures normales de bureau.

Au Canada : [GEAppliances.ca/en/support/purchase-extended-warranty](http://GEAppliances.ca/en/support/purchase-extended-warranty) ou composez le 800.290.9029

---

## Pièces et accessoires

Les personnes ayant les compétences requises pour réparer elles-mêmes leurs appareils peuvent recevoir directement à la maison des pièces ou accessoires (les cartes VISA, MasterCard et Discover sont acceptées). Commandez en ligne 24 heures par jour.

Aux États-Unis : [GEApplianceparts.com](http://GEApplianceparts.com) ou par téléphone au 877.959.8688 durant les heures normales de bureau.

**Les instructions contenues dans le présent manuel comportent des procédures que tout utilisateur peut effectuer. Les autres types de réparation doivent généralement être confiés à un technicien qualifié. Utilisez de prudence : une réparation ou un entretien mal effectués peuvent rendre l'utilisation de l'appareil dangereuse.**

Les consommateurs au Canada doivent consulter les pages jaunes pour connaître le centre de service Mabe le plus proche, visiter notre site Web au [GEAppliances.ca/en/products/parts-filters-accessories](http://GEAppliances.ca/en/products/parts-filters-accessories) ou composer le 1.800.661.1616.

---

## Communiquez avec nous

Si vous n'êtes pas satisfait du service après-vente de GE Appliances, communiquez avec nous depuis notre site Web en fournissant tous les détails dont votre numéro de téléphone, ou écrivez à :

Aux États-Unis : General Manager, Customer Relations | GE Appliances, Appliance Park | Louisville, KY 40225  
[GEAppliances.com/ge/service-and-support/contact.htm](http://GEAppliances.com/ge/service-and-support/contact.htm)

Au Canada : Director, Consumer Relations, Mabe Canada Inc. | Suite 310, 1 Factory Lane | Moncton, N.B. E1C 9M3  
[GEAppliances.ca/en/contact-us](http://GEAppliances.ca/en/contact-us)





# FREEZERS VERTICALES

## INFORMACIÓN DE SEGURIDAD 3

### USO DEL FREEZER

Instrucciones de operación ..... 5  
 Características. .... 5  
 Instrucciones para descongelar ..... 7

## ENTRETIEN ET NETTOYAGE ... 8

## INSTALACIÓN ..... 10

## SOLUCIONAR PROBLEMAS .. 11

Características de  
 funcionamiento normales ..... 13

## GARANTÍA ..... 15

## SERVICIO AL CONSUMIDOR . 16

## MANUEL D'UTILISATION ET D'INSTALLATION

Horizontal—Modelos con  
 descongelamiento manual:  
 FCM16, FCM22

## ESPAÑOL

Escriba los números de modelo  
 y de serie aquí:

Número de modelo : \_\_\_\_\_

Número de serie: \_\_\_\_\_

Encontrará la etiqueta de  
 calificación del lado derecho  
 del freezer, sobre la tapa del  
 compartimiento de la máquina.

## **GRACIAS POR HACER QUE GE APPLIANCES SEA PARTE DE SU HOGAR.**

---

Ya sea que haya crecido usando GE Appliances, o que ésta es su primera vez, nos complace tenerlo en la familia.

Sentimos orgullo por el nivel de arte, innovación y diseño de cada uno de los electrodomésticos de GE Appliances, y creemos que usted también. Entre otras cosas, el registro de su electrodoméstico asegura que podamos entregarle información importante del producto y detalles de la garantía cuando los necesite.

Registre su electrodoméstico GE ahora a través de Internet. Sitios Web y números telefónicos útiles están disponibles en la sección de Soporte para el Consumidor de este Manual del Propietario.

También puede enviar una carta en la tarjeta de inscripción preimpresa que se incluye con el material embalado.



**GE APPLIANCES**

# INFORMACIÓN IMPORTANTE DE SEGURIDAD

## LEA TODAS LAS INSTRUCCIONES ANTES DE USAR LA MÁQUINA

**⚠️ ADVERTENCIA** A fin de reducir el riesgo de incendio, explosión, descargas eléctricas o lesiones al usar su refrigerador, siga estas precauciones básicas de seguridad:

- Este freezer se deberá instalar y ubicar adecuadamente de acuerdo con las Instrucciones de Instalación antes de ser usado.
- Desenchufe el freezer antes de hacer reparaciones, ya sea reemplazar una lámpara de luz o hacer una limpieza.  
**Nota:** La corriente que va al freezer no puede ser desconectada por ninguna configuración del panel de control.  
**Nota:** Las reparaciones deberán ser realizadas por un Profesional del Servicio Técnico calificado.
- Reemplace todas las piezas y paneles antes del uso.
- No guarde ni use gasolina u otros vapores inflamables y líquidos cerca de este ni de otro electrodoméstico.
- No guarde sustancias explosivas tales como latas de aerosoles con propelentes inflamables en este electrodoméstico.
- No use un prolongador.
- A fin de evitar riesgos de que los niños sufran asfixia o queden atrapados, retire la tapa del freezer antes de deshacerse o dejar de usar el mismo.
- Para evitar lesiones graves o la muerte, los niños no se deberán parar sobre ni jugar en o con el electrodoméstico.
- Los niños y las personas con capacidad física, sensorial o mental reducida o con falta de experiencia y conocimiento podrán usar este electrodoméstico sólo si son supervisados o les fueron dadas instrucciones sobre un uso seguro y entienden los riesgos involucrados.
- Este electrodoméstico fue diseñado para uso hogareño y para aplicaciones similares tales como: áreas de personal de cocina en tiendas, oficinas y otros espacios laborales; casas de campo; por clientes en hoteles, moteles, hostales y otros espacios residenciales, catering y aplicaciones no minoristas similares.


**⚠️ PRECAUCIÓN** Para reducir el riesgo de lesiones al usar el freezer, siga estas precauciones básicas.

- No limpie el freezer con agua caliente cuando se encuentre frío. Los componentes se pueden romper si son expuestos a cambios de temperatura repentinos o impactos, tales como sacudones o caídas.
- Mantenga los dedos fuera de los espacios de "riesgo de lastimaduras"; los espacios de despeje entre la tapa y el gabinete son necesariamente pequeños. Tenga el cuidado de cerrar las puertas cuando haya niños dentro del área.
- No toque las superficies frías del compartimiento del freezer cuando las manos estén húmedas o mojadas, ya que la piel se podrá adherir a estas superficies extremadamente frías.
- No vuelva a congelar comidas que hayan estado totalmente congeladas en forma previa.

**ADVERTENCIAS DE LA PROPOSICIÓN 65 DEL ESTADO DE CALIFORNIA:**

**⚠️ ADVERTENCIA** Este producto contiene uno o más químicos que el Estado de California entiende que producen cáncer y defectos en el nacimiento u otros daños reproductivos.

### INSTALLATION

**⚠️ ADVERTENCIA**  **Riesgo de Explosión**

Mantenga cualquier material y vapores inflamables, tales como gasolina, alejados del freezer. Si no se cumple con esto se podrá producir una explosión, incendio o la muerte.

**LEA Y GUARDE ESTAS INSTRUCCIONES**

# INFORMACIÓN IMPORTANTE DE SEGURIDAD

## LEA TODAS LAS INSTRUCCIONES ANTES DE USAR LA MÁQUINA

### CONEXIÓN DE LA ELECTRICIDAD

#### **⚠ ADVERTENCIA**



#### **RIESGO DE DESCARGA ELÉCTRICA**

Enchufe en un tomacorriente con conexión a tierra de 3 cables.

No elimine el cable de conexión a tierra.

No use un adaptador.

No use un prolongador.

Si no se siguen estas instrucciones se podrá producir la muerte, incendios o descargas eléctricas.

**Nunca, bajo ninguna circunstancia, corte o elimine el tercer cable (tierra) del cable de corriente. Para su seguridad personal, este electrodoméstico debe estar adecuadamente conectado a tierra.**

El cable de corriente de este electrodoméstico cuenta con un enchufe de 3 cables (conexión a tierra) que se conecta a un tomacorriente de pared estándar de 3 cables (conexión a tierra) para minimizar la posibilidad de riesgos de descargas eléctricas por parte del mismo.

Contrate a un electricista calificado para que controle el tomacorriente y el circuito eléctrico, a fin de asegurar que el enchufe esté correctamente conectado a tierra.

En caso de contar con un tomacorriente de pared de 2 cables, es su responsabilidad y obligación reemplazarlo por un tomacorriente de pared de 3 cables correctamente conectado a tierra. No use un adaptador.

El freezer deberá estar siempre conectado a un enchufe específico con un índice de voltaje equivalente al que figura en la placa de calificación.

Se requiere un suministro eléctrico con fusible y conexión a tierra de 115 voltios de CA, 60 Hz, 15 o 20 amperes. Esto garantiza el mejor funcionamiento y además previene la sobrecarga de los circuitos del hogar, lo cual podría ocasionar riesgos de incendio debido al recalentamiento de cables.

Nunca desenchufe el refrigerador tirando del cable de corriente. Siempre tome su enchufe firmemente y empuje el mismo hacia fuera para retirarlo.

Inmediatamente interrumpa el uso de un cable de suministro de corriente dañado. Si el cable de corriente se encuentra dañado, su reemplazo deberá ser realizado por un profesional calificado del servicio técnico, utilizando una pieza del servicio técnico autorizada por el fabricante.

Al alejar el freezer de la pared, se deberá tener cuidado de que no ruede sobre ni dañe el cable de corriente.

### FORMA ADECUADA DE DESCARTAR SU ANTIGÜO CONGÉLATEUR

#### **⚠ ADVERTENCIA**

#### **PELIGRO DE SUFFOCATION Y ENTRAPMENT**

El incumplimiento de estas instrucciones de eliminación puede causar la muerte o lesiones graves.

**IMPORTANTE:** Que un niño quede atrapado o que sufra una asfixia no son problemas del pasado. Los refrigeradores antiguos o abandonados aún son peligrosos, incluso aunque se conserven por "sólo unos pocos días". Si se deshará de su antiguo refrigerador, siga las siguientes instrucciones a fin de evitar accidentes.

#### **Antes de Descartar su Antiguo Refrigerador o Congélateur:**

- Retire la tapa del congelador.
- Deje los estantes en su lugar de modo que los niños no puedan trepar dentro con facilidad.

#### **Cómo Eliminar Refrigerantes y Gomaespumas:**

Descarte el electrodoméstico de acuerdo con las Regulaciones Federales y Locales. El material aislante inflamable usado requiere procedimientos de descarte especiales. Comuníquese con las autoridades locales para descartar su electrodoméstico de forma ambientalmente segura

## LEA Y GUARDE ESTAS INSTRUCCIONES

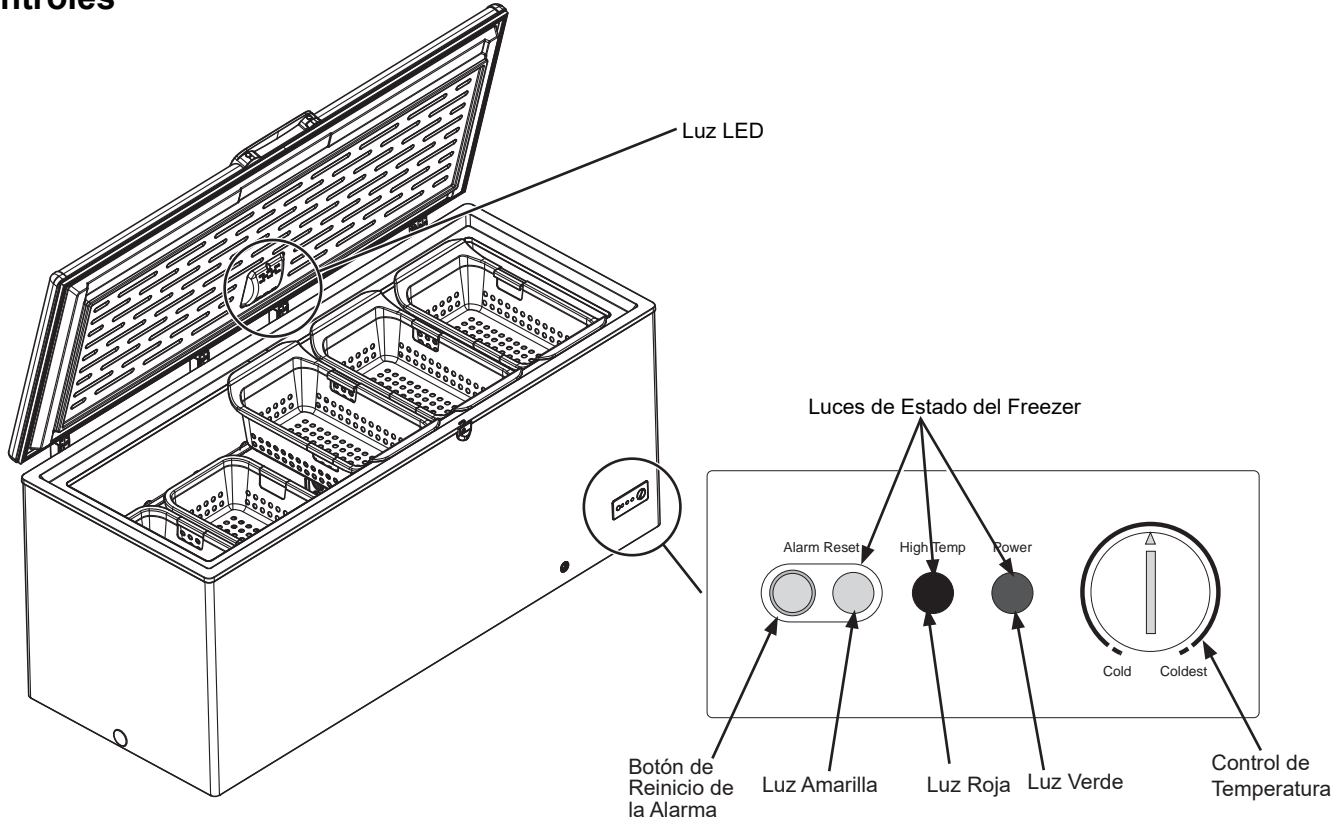
# Instrucciones de operación

## Cómo poner el congelador en funcionamiento

1. Limpie el interior del congelador con una solución suave de bicarbonato de sodio y agua (vea Cuidado y limpieza).
2. Conecte el cable al tomacorriente.
3. Asegúrese de que el control de temperatura esté en la posición intermedia entre Cold (Frío) y Coldest (Lo Más Frío).
4. Deje que el congelador funcione durante por lo menos cuatro horas antes de colocar alimento en el interior.

## Características

### Controles



#### Luces de Estado del Freezer

**ROJA:** La luz roja se encenderá de forma automática cuando la temperatura del freezer sea demasiado alta, por encima de los 23°F (-5°C) durante 60 minutos. Se apagará cuando la temperatura esté por debajo de los 20°F (-7°C).

**AMARILLA:** La luz amarilla titilará cuando la luz roja de temperatura esté encendida. Deberá presionar el botón Alarm Reset (Reinicio de la Alarma) para apagar la luz amarilla. Si la luz amarilla está titilando y la luz roja de temperatura está apagada, usted experimentó un corte de corriente hogareño. Deberá presionar el Botón Alarm Reset (Reinicio de la Alarma) para apagar la luz amarilla.

**VERDE:** La luz verde es la luz indicadora y asegura que su freezer está en funcionamiento. Si la luz indicadora no está iluminada, controle inmediatamente que no haya cortes de corriente, que el cable de corriente no esté desenchufado, que el disyuntor no esté abierto, que no haya fusibles quemados, o que la luz indicadora no esté quemada. Si la luz está quemada, comuníquese al servicio técnico para solicitar un reemplazo.

#### Alarma

La alarma con audio indica que la temperatura del freezer es demasiado alta.

#### Botón de Reinicio de la Alarma

Presione el botón Alarm Reset (Reinicio de la Alarma) para apagar la misma. Una vez que el botón sea presionado, la luz amarilla dejará de titilar y la alarma se apagará.

#### Dial del Control de Temperatura

Gire el mismo colocando una moneda en la ranura para ajustar la temperatura del freezer entre Cold (Frío) y Coldest (Lo Más Frío).

#### ⚠ ADVERTENCIA

El freezer deberá estar desenchufado para evitar riesgos eléctricos relacionados con una fuente de corriente, al instalar, limpiar o reparar el freezer.

# Características

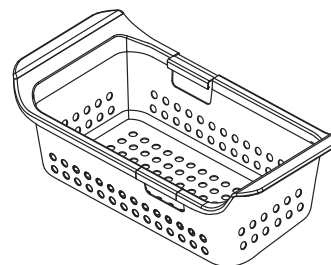
## Método Recomendado de Conexión a Tierra

Se requiere un suministro eléctrico con fusible y conexión a tierra de 115 voltios, 60 Hz, sólo CA y 15 o 20 amperes. Se recomienda contar con un circuito separado que se use únicamente con el freezer. Use una ficha que no pueda ser apagada por un interruptor. No use un prolongador.

## Canasta Deslizable

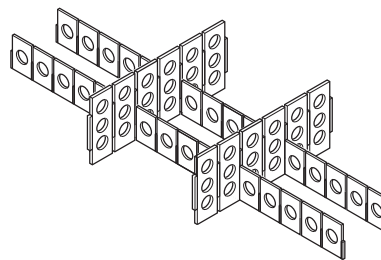
Guarde pequeños paquetes en la canasta, a fin de evitar su pérdida en el fondo del freezer. La canasta se puede mover de un lado al otro o puede ser retirada al cargar o descargar la comida debajo de la misma.

Para retirar la canasta, levante la misma de forma recta hacia arriba y afuera. Para reemplazar la canasta, vuelva a bajar la misma hasta su posición.



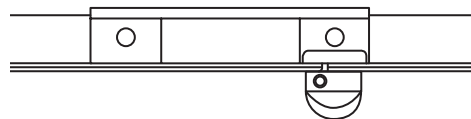
## Divisor (Opcional)

Algunos modelos cuentan con un divisor en la parte trasera de la unidad. Si se utiliza el divisor, siga las instrucciones de ensamble incluidas con el divisor.



## Cerradura con Ejector de Llave

La cerradura posee un resorte, de modo que la llave no pueda ser dejada en la misma. Para bloquear o desbloquear, presione la llave mientras la esté girando. Si se pierde la llave, comuníquese con su vendedor para un reemplazo o visite [GEApplianceParts.com](http://GEApplianceParts.com). Al solicitar una llave de reemplazo, siempre dé los números de modelo y serie del freezer.



### **⚠ ADVERTENCIA**

A fin de evitar que un niño quede atrapado, guarde la llave fuera del alcance de los niños y lejos del freezer.

# Instrucciones para descongelar

En la mayoría de los climas, sólo será necesario descongelar unas dos veces al año.

Para que el congelador funcione con mayor eficiencia, no permita que se acumule más de 1/4" (6 mm) de grosor, en promedio, de escarcha de escarcha en los estantes.

Pour enlever le givre, grattez avec un grattoir ou une spatule en plastique ou en bois.

No use un punzón, metal, ni un instrumento puntiagudo ya que podría dañar o rayar el congelador.

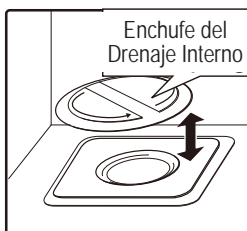
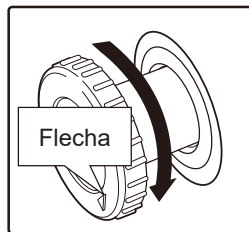
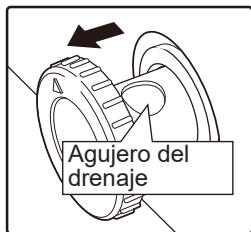
No use agua hirviendo, ya que esto podrá dañar el freezer.

No use ningún dispositivo eléctrico para descongelar el congelador.

## Para un descongelamiento completo

1. Gire el control de temperatura hasta la configuración del extremo izquierdo COLD (Frío) y desenchufe el freezer.
2. Retire todos los alimentos y colóquelos en cajas corrugadas, bolsas aisladas, refrigeradores portátiles, etc. Use toallas y periódicos como aislantes, según sea necesario.
3. Coloque una bandeja (no incluida) en el frente del freezer, debajo del enchufe de drenaje externo para recolectar el agua. Empuje el enchufe del drenaje hacia afuera aproximadamente 1", hasta que el agujero de drenaje del enchufe aparezca completamente. Gire el enchufe del drenaje en dirección de las agujas del reloj, hasta que la flecha apunte hacia abajo. Desenrosque en dirección contraria a las agujas del reloj para retirar el enchufe de drenaje interno. Esto permite que el agua fluya hacia fuera de la bandeja.

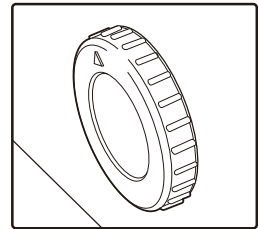
**NOTA:** El agua acumulada en la parte inferior del freezer durante la descongelación será drenada en la bandeja. Controle la bandeja ubicada bajo el drenaje para evitar desbordes.



4. Con la tapa abierta, podrá optar por utilizar ollas con agua caliente del grifo (a menos de 120°F) para acelerar la descongelación. Irigir el aire de un ventilador eléctrico al freezer también ayudará. No coloque el ventilador o cualquier otro dispositivo eléctrico en el freezer.

Retire las piezas grandes antes de que se derritan.

5. Limpie el agua de las paredes con una toalla o esponja.
6. Después del descongelamiento, limpie el interior del congelador (vea Cuidado y limpieza).
7. Reemplace los enchufes del drenaje.
8. Enchufe el freezer. Regrese el control de temperatura a su posición previa y vuelva a colocar la comida en el freezer.



### ⚠ ADVERTENCIA

El freezer debe estar desenchufado, a fin de evitar riesgos eléctricos de la fuente de corriente al descongelar la unidad.

# Cuidado y limpieza

## Limpieza del congelador

■ **Exterior.** Proteja el acabado de pintura. El acabado del exterior del congelador es un acabado de pintura curada de alta calidad. Con el cuidado apropiado, se conservará como nueva y sin óxido durante años. Aplique una capa de cera para pulir aparatos cuando el congelador es nuevo y luego, por lo menos dos veces al año. También se recomienda usar cera para pulir aparatos para retirar los residuos de cinta de las superficies del congelador.

**Mantenga limpio el acabado.** Use un paño limpio ligeramente humedecido en cera para pulir aparatos o detergente líquido suave para lavar platos. Seque y pula con un paño suave y limpio. No limpie el congelador con un paño para lavar platos sucio o una toalla húmeda. No use esponjas limpiadoras, limpiadores en polvo, lejía o limpiadores que contengan lejías.

**AVISO:** Se deben tomar precauciones al separar el congelador de la pared. Es posible que se dañen todos los tipos de coberturas para pisos, especialmente las coberturas acolchadas y las que tienen superficies en relieve.

■ **Interior.** Limpie el interior del congelador por lo menos una vez al año. Recomendamos desenchufar el congelador antes de limpiarlo. Si no fuera posible, exprima el exceso de humedad de la esponja o del paño cuando se limpie alrededor de botones, bombillas o controles.

Use agua caliente y una solución de bicarbonato de sodio—aproximadamente una cucharada (15 ml) de bicarbonato de sodio por cada cuarto (1 litro) de agua. Enjuague bien con agua y seque. No use polvos limpiadores ni otros limpiadores abrasivos. NO lave piezas desmontables en el lavavajillas.

Una caja de bicarbonato de sodio abierta absorberá los olores viciados del congelador. Cambie la caja cada tres meses.

### ⚠ PRECAUCIÓN

Los objetos húmedos se pegan a las superficies metálicas frías. NO toque superficies metálicas internas con manos mojadas o húmedas.

## En caso de interrupción prolongada del suministro eléctrico

- Mantenga la tapa del congelador cerrada. El congelador mantendrá los alimentos congelados durante 24 horas siempre que no permita el ingreso de aire cálido.
- Si el congelador no recibe energía durante 24 horas o más, agregue hielo seco. Deje el hielo en trozos grandes. Agregue más hielo según sea necesario.

### ⚠ PRECAUCIÓN

La manipulación de hielo seco puede causar congelamiento en las manos; se recomienda el uso de guantes o de otro tipo de protección.

- Si no es posible conseguir hielo seco, traslade los alimentos a un armario para alimentos congelados hasta que se restablezca el suministro eléctrico.

## En caso de mudanza

Desconecte el enchufe de alimentación del tomacorriente de pared. Retire los alimentos, descongele (en los modelos con Descongelamiento manual) y limpie el congelador.

Asegure todos los elementos sueltos como canastas pegándolos con cinta adhesiva en su lugar para evitar daños.

Asegúrese de que el freezer permanezca en la posición de parado durante la mudanza y en el vehículo. El freezer debe estar asegurado en el vehículo a fin de evitar movimientos. Proteja el exterior del congelador con una manta.



# Cuidado y limpieza

## Preparación para vacaciones

Para mantener el congelador en funcionamiento durante las vacaciones, asegúrese de no desconectar el suministro eléctrico de su hogar. Para proteger de manera segura el contenido del congelador, puede solicitar a algún vecino que controle el suministro de energía y el funcionamiento del congelador cada 24 horas.

En caso de vacaciones o ausencias prolongadas, puede optar por trasladar los alimentos congelados a un armario de almacenamiento de manera temporal. Si deja el congelador vacío, desconecte el cable de alimentación del enchufe de pared. Para evitar la formación de olores, coloque una caja de bicarbonato de sodio vacía en el congelador y deje la tapa abierta.

## Ahorre Tiempo y Dinero

- El congelador debe ubicarse en el área más fría de la habitación, lejos de aparatos que generen calor o conductos de calefacción, y alejado de la luz solar directa.

- Deje que los alimentos calientes se enfríen hasta temperatura ambiente antes de colocarlos en el congelador. Sobrecargar

el congelador hace que el compresor deba funcionar durante más tiempo. Los alimentos que se congelan muy lentamente pueden perder sus cualidades o arruinarse.



- Asegúrese de envolver los alimentos en forma adecuada y seque los recipientes antes de colocarlos en el congelador. Esto reduce la acumulación de escarcha dentro del congelador.
- Canastas del freezer no deben recubrirse con papel de aluminio, papel encerado o toallas de papel. El recubrimiento afecta la circulación de aire frío, reduciendo la eficiencia del congelador.
- Organice y etiquete los alimentos para reducir las veces en que se abre la tapa y las búsquedas prolongadas. Saque todos los elementos necesarios de una vez y cierre la tapa lo más rápido posible.

# Pasos previos a la instalación

Lea estas instrucciones por completo y con cuidado.

## Ubicación del congelador

Deberá ubicar el congelador de forma conveniente para el uso diario, en una habitación seca y bien ventilada.

No instale el congelador donde la temperatura baje de los 0°F (-18°C) o supere los 110°F (43°C), ya que no mantendrá las temperaturas adecuadas.

No instale el freezer en una ubicación expuesta al agua de lluvia o en contacto directo con la luz solar.

Asegúrese de instalar el congelador en un piso que sea lo suficientemente firme como para sostenerlo cuando esté completamente cargado.

## Nivele el congelador

Nivele el freezer de un lado a otro y de la parte frontal a la parte trasera, de modo que la tapa se selle de forma adecuada. Use cuñas para nivelar el freezer, si es necesario.

**NOTA:** No debería ser necesario retirar la tapa durante la instalación. Si, por alguna razón, las bisagras necesitan ajustes, llame a una empresa de servicios profesionales.

## Espacios de Despeje y Ventilación

Deje por lo menos 2" (50.8 mm) de espacio a ambos lados del freezer y 2" (50.8 mm) entre la parte trasera del freezer y la pared. Deje espacio arriba del freezer para abrir la tapa.

No cubra el freezer con artículos tales como frazadas, sábanas, manteles, etc. Esto reduce la circulación de aire.

Mantenga cualquier material y vapores inflamables, tales como gasolina, alejados del freezer.

## Retiro de la Tapa

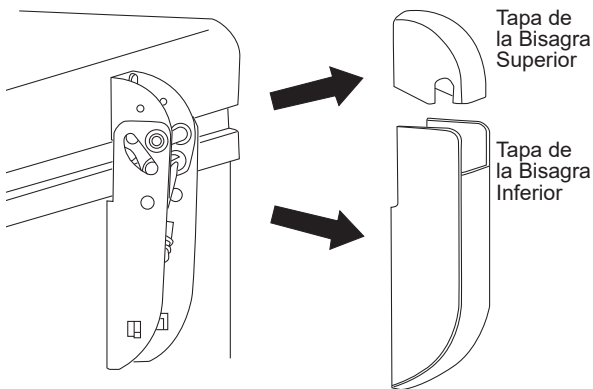
### ⚠ PRECAUCIÓN RIESGO AL LEVANTAR

La tapa es pesada. Use ambas manos para asegurar la tapa antes de levantar la misma.

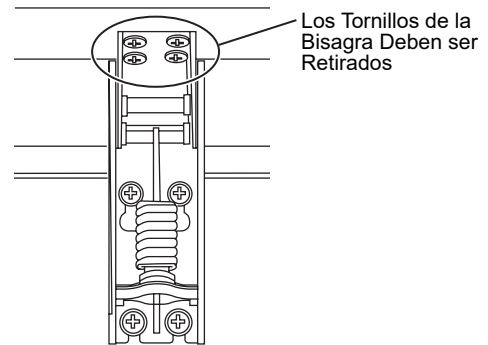
### ⚠ PRECAUCIÓN RESORTE DE LA BISAGRA BAJO TENSION

Si es necesario retirar la tapa, siga estos pasos:

1. Retire la parte inferior de la tapa de la bisagra y luego retire la parte superior.



2. Abra la tapa hasta su posición máxima. (Las bisagras quedan de la forma más suelta en esta posición).
3. Retire los 4 tornillos desde la parte superior de la bisagra y la tapa. El freezer de 16' cuenta con 3 bisagras y el freezer de 22' cuenta con un total de 4 bisagras.



4. Para reinstalar la tapa, siga los pasos de modo inverso. Ajuste todos los tornillos de las bisagras, pero no ajuste en exceso para evitar dañar la capa de pintura. Reinstale las tapas de las bisagras.

# Consejos para la Solución de Problemas... Antes de solicitar el servicio técnico

Économisez temps et argent! Consultez d'abord les tableaux des pages suivantes et vous pourriez vous éviter un appel de service.

Problema	Causas Posibles	Qué hacer
El congelador no funciona o la Luz de encendido está apagada	El control de temperatura está en la posición <b>OFF u O</b> .	Mueva el control a una configuración de temperatura más fría.
	El congelador está <b>desenchufado</b> .	Empuje la clavija completamente en el enchufe.
	Fusible fundido/interruptor de circuito roto.	Reemplace el fusible o reajuste el interruptor.
El congelador arranca/se detiene con demasiada frecuencia	Se dejó la tapa abierta.	Revise si hay un paquete que mantiene la tapa abierta.
	Abrir la tapa con mucha frecuencia o por mucho tiempo.	Abra la tapa con menos frecuencia.
	El control del temperatura está en un nivel demasiado frío.	Vea <i>Acerca de la operación del congelador</i> .
El congelador opera demasiado tiempo	Se dejó la tapa abierta.	Revise si hay un paquete que mantiene la tapa abierta.
	Abrir la tapa con mucha frecuencia o por mucho tiempo.	Abra la tapa con menos frecuencia.
	El control del temperatura está en un nivel demasiado frío.	Vea <i>Acerca de la operación del congelador</i> .
	El espacio para circulación de aire alrededor del gabinete no es adecuado.	Vea <i>Pasos previos a la instalación del congelador</i> .
	La temperatura en la habitación o en el exterior es elevada.	Es normal que el congelador funcione más intensamente con estas condiciones.
	El congelador se ha desconectado recientemente por un rato.	El congelador tarda 4 horas en enfriarse por completo.
	Se han guardado recientemente grandes cantidades de alimentos tibios o calientes.	Los alimentos tibios harán que el congelador funcione por más tiempo hasta alcanzar la temperatura deseada.
Funcionamiento ruidoso o el gabinete vibra	El piso posiblemente sea débil, lo que hace que el congelador vibre cuando funciona el compresor.	Asegúrese de que el freezer esté ubicado en un piso sólido y use cuñas, según sea necesario, para nivelar la unidad.
	El gabinete no está firme en el piso.	Consulte la sección sobre Preparación para la instalación del freezer. Use cuñas, según sea necesario, para nivelar la unidad.
	El congelador toca la pared.	Nivele el congelador o desplácelo un poco. Ver <i>Cómo Nivelar los congeladores</i> .
La temperatura del congelador es demasiado alta	Se dejó la tapa abierta.	Revise si hay un paquete que mantiene la tapa abierta.
	Abrir la tapa con mucha frecuencia o por mucho tiempo.	Abra la tapa con menos frecuencia.
	El control de temperatura se ha configurado a una temperatura muy elevada.	Cambie el control a una configuración más fría. Deje pasar unas horas para que la temperatura se estabilice.
	Se han guardado recientemente grandes cantidades de agua o alimentos calientes.	Espere hasta que el congelador haya alcanzado su temperatura seleccionada.
	El congelador se ha desconectado recientemente.	El congelador necesita 4 horas para enfriarse por completo.
Los alimentos se descongelan	Control de temperatura configurado en la posición <b>Cold (Frío)</b> .	Mueva el control hasta un ajuste de temperatura.
	El congelador está <b>desenchufado</b> .	Empuje la clavija completamente en el enchufe.
	Fusible fundido/interruptor de circuito roto.	Reemplace el fusible o reajuste el interruptor.
	Se dejó la tapa abierta.	Revise si hay un paquete que mantiene la tapa abierta.
	Abrir la tapa con mucha frecuencia o por mucho tiempo.	Abra la tapa con menos frecuencia.

## Consejos para la Solución de Problemas... Antes de solicitar el servicio técnico

Problema	Causas Posibles	Qué hacer
La temperatura del congelador es demasiado baja	El control del temperatura está en un nivel demasiado frío.	Vea <i>Acerca de la operación del congelador</i> .
Se forma humedad en la parte externa del gabinete	No es extraño durante períodos de alta humedad.	Seque la superficie con un paño suave.
	La tapa puede estar mal colocada, lo que provoca que el aire frío del interior del congelador se mezcle con el aire húmedo del exterior.	Vea <i>Preparaciones para instalar el congelador</i> .
La luz interior no funciona (en algunos modelos)	No hay corriente en el tomacorriente.	Reemplace el fusible o reajuste el interruptor.
	El congelador está desenchufado.	Empuje la clavija completamente en el enchufe.
La tapa no se cierra completamente sola	Paquete mantiene la tapa abierta.	Mueva el paquete a una ubicación diferente.
Tiempo de arranque lento después de estar desconectado	Protección contra sobrecarga incorporada.	Esto es normal luego de estar apagado.
Acumulación excesiva de escarcha	Se dejó la tapa abierta.	Revise si hay un paquete que mantiene la tapa abierta.
	Abrir la tapa con mucha frecuencia o por mucho tiempo.	Abra la tapa con menos frecuencia.
	No es extraño durante períodos de alta humedad.	Seque la superficie.
La temperatura de la superficie externa del congelador es elevada	Las paredes externas del congelador pueden alcanzar una temperatura de hasta 30°F mayor a la temperatura ambiente.	Esto es normal mientras el compresor funciona para transferir calor desde la parte interior del gabinete del congelador.
Niveles de sonido mayores cuando el congelador está encendido	Los congeladores modernos cuentan con una capacidad de almacenamiento mejorada y temperaturas más estables. Requieren un compresor de alta eficiencia.	Esto es normal. Cuando el nivel de ruido de alrededor es bajo, puede oírse el compresor mientras enfría el interior.
Niveles de sonido más prolongados cuando se enciende el compresor	El congelador funciona a presiones más altas durante el inicio del ciclo <b>ON</b> (encendido).	Esto es normal. El sonido bajará o desaparecerá mientras el congelador siga funcionando.
Ruidos de crujidos o chasquidos cuando se enciende el compresor	Las piezas de metal sufren expansión y contracción, como las tuberías de agua caliente.	Esto es normal. El sonido bajará o desaparecerá mientras el congelador siga funcionando.
Sonidos de borbotos o gorgoteos, como agua hirviendo	El refrigerante (utilizado para enfriar el congelador) se encuentra circulando por el sistema.	Esto es normal.
Se forma humedad en las paredes externas del congelador	El clima es caluroso y húmedo, lo que incrementa el nivel interno de acumulación de escarcha.	Esto es normal.
	La tapa puede estar mal colocada.	Vea <i>Preparaciones para instalar el congelador</i> .
	La tapa quedó abierta mucho tiempo o se abre muy frecuentemente.	No abra la tapa tan seguido.
Olores en el congelador	Debe limpiarse la parte interna.	Limpie el interior con una esponja, agua tibia y bicarbonato de sodio.
	Hay alimentos con olores fuertes dentro del congelador.	Cubra bien los alimentos.

### Características de funcionamiento normales

Todo esto es normal y no indica necesidad de servicio.

- Gabinete exterior tibio a medida que el sistema de refrigeración transfiere calor desde el interior hacia el exterior a través de las paredes externas del gabinete.
- Sonido de motor compresor de alta eficiencia.



# Garantía del congelateur

## GEAppliances.com

Todo el servicio de garantía es provisto por nuestros Centros de Servicio de Fabricación, o un técnico autorizado de Servicio al Cliente (Customer Care®). Para programar una visita del servicio técnico, visítenos en GEAppliances.com, o comuníquese al 800.GE.CARES (800.432.2737). Cuando llame para solicitar el servicio, tenga los números de serie y modelo disponibles.

<b>Por el Período de:</b>	<b>GE Appliances Reemplazará</b>
<b>Un Año</b> Desde la fecha de la compra original	<b>Cualquier parte</b> del congelateur que falle debido a un defecto en los materiales o la fabricación. Durante esta <b>garantía limitada de un año</b> , GE Appliances también proveerá, sin costo, todo el trabajo y el servicio relacionado con el reemplazo de la parte que presente defectos.

### Qué No Cubrirá GE Appliances:

- Viajes del técnico del servicio a su hogar para enseñarle sobre cómo usar el producto.
- Instalación inadecuada, entrega o mantenimiento.
- Fallas del producto en caso de abuso, mal uso, o uso para propósitos diferentes al original o uso comercial.
- Pérdida de alimentos por mal estado.
- Daño causado después de la entrega.
- Reemplazo de fusibles de la casa o reinicio de disyuntores.
- Daños ocasionados sobre el producto por accidente, incendio, inundaciones o catástrofes naturales.
- Daños consecuentes o incidentales causados por posibles defectos de este producto.
- Producto no accesible para brindar el servicio requerido.

### EXCLUSIÓN DE GARANTÍAS IMPLÍCITAS

Su única y exclusiva alternativa es la reparación del producto, como se indica en la Garantía Limitada. Las garantías implícitas, incluyendo garantías implícitas de comerciabilidad o conveniencia sobre un propósito particular, se limitan a un año o al período más corto permitido por la ley.

Esta garantía se extiende al comprador original y a cualquier dueño subsiguiente de productos comprados para uso hogareño dentro de EE.UU. Si el producto está en un área donde no se encuentra disponible un Proveedor Autorizado del Servicio Técnico de GE Appliances, usted será responsable por el costo de un viaje o se podrá requerir que traiga el producto a una ubicación del Servicio Técnico de GE Appliances Autorizado para recibir el servicio. En Alaska, la garantía excluye el costo de envío o llamadas del servicio a su hogar.

Algunos estados no permiten la exclusión o limitación de daños fortuitos o consecuentes. Esta garantía le da derechos legales específicos y es posible que tenga otros derechos legales que varían entre un estado y otro. Para conocer cuáles son sus derechos legales, consulte a la oficina de asuntos del consumidor local o estatal o al Fiscal de su estado.

**Warrantor: GE Appliances**

Abroche su recibo aquí. Para acceder al servicio técnico de acuerdo con la garantía deberá contar con la prueba de la fecha original de compra.

# Soporte para el Consumidor

---

## Sitio Web de GE Appliances

¿Desea realizar una consulta o necesita ayuda con su electrodoméstico? ¡Intente a través del Sitio Web de GE Appliances las 24 horas del día, cualquier día del año! Usted también puede comprar más electrodomésticos maravillosos de GE Appliances y aprovechar todos nuestros servicios de soporte a través de Internet, diseñados para su conveniencia.

En EE.UU.: [GEAppliances.com](http://GEAppliances.com)

---

## Registre su Electrodoméstico

¡Registre su electrodoméstico nuevo a través de Internet, según su conveniencia! Un registro puntual de su producto permitirá una mejor comunicación y un servicio más puntual de acuerdo con los términos de su garantía, en caso de surgir la necesidad. También puede enviar una carta en la tarjeta de inscripción preimpresa que se incluye con el material embalado.

En EE.UU.: [GEAppliances.com/register](http://GEAppliances.com/register)

---

## Servicio Programado

El servicio de reparación de expertos de GE Appliances está a sólo un paso de su puerta. Conéctese a través de Internet y programe su servicio a su conveniencia cualquier día del año. En EE.UU.: [GEAppliances.com/ge/service-and-support/service.htm](http://GEAppliances.com/ge/service-and-support/service.htm) o comuníquese al 800.432.2737 durante el horario de atención comercial.

---

## Garantías Extendidas

Adquiera una garantía extendida de GE Appliances y conozca los descuentos especiales que están disponibles mientras su garantía aún está vigente. La puede adquirir en cualquier momento a través de Internet. Los servicios de GE Appliances aún estarán allí cuando su garantía caduque.

En EE.UU.: [GEAppliances.com/ge/service-and-support/shop-for-extended-service-plans.htm](http://GEAppliances.com/ge/service-and-support/shop-for-extended-service-plans.htm)

o comuníquese al 800.626.2224 durante el horario de atención comercial.

---

## Piezas y Accesorios

Aquellos individuos calificados para realizar el servicio técnico de sus propios electrodomésticos podrán solicitar el envío de piezas o accesorios directamente a sus hogares (se aceptan las tarjetas VISA, MasterCard y Discover). Ordene hoy a través de Internet durante las 24 horas, todos los días. En EE.UU.: [GEApplianceparts.com](http://GEApplianceparts.com) o de forma telefónica al 877.959.8688 durante el horario de atención comercial.

**Las instrucciones que figuran en este manual cubren los procedimientos que serán realizados por cualquier usuario. Otros servicios técnicos generalmente deben ser derivados a personal calificado del servicio. Se deberá tener cuidado, ya que una reparación indebida podrá hacer que el funcionamiento no sea seguro.**

---

## Contáctenos

Si no se encuentra satisfecho con el servicio que recibió de GE Appliances, comuníquese con nosotros a través de nuestro sitio Web con todos los detalles, incluyendo su número telefónico, o escriba a:

En EE.UU.: General Manager, Customer Relations | GE Appliances, Appliance Park | Louisville, KY 40225

[GEAppliances.com/ge/service-and-support/contact.htm](http://GEAppliances.com/ge/service-and-support/contact.htm)