



DISHWASHERS

SAFETY INFORMATION..... 4

USING THE DISHWASHER

Getting Started..... 6

Loading12

Dispensers15

CARE AND CLEANING.....16

TROUBLESHOOTING TIPS.....17

WARRANTY.....21

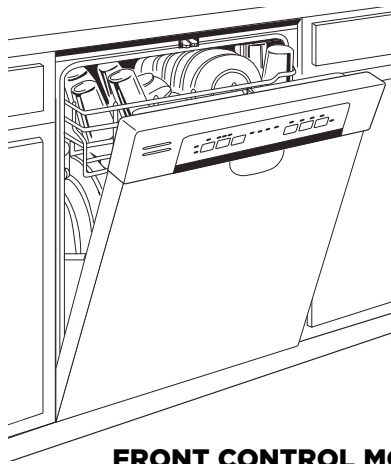
CONSUMER SUPPORT 22

OWNER'S MANUAL

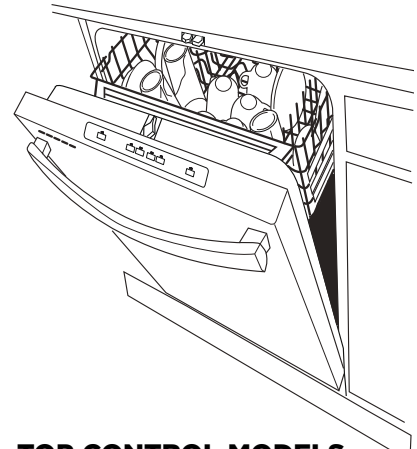
- GBF 180 Series
- GBF 412-532 Series
- MBF 422 Series
- GBT 412 Series
- GBT 632 Series

Includes Moffat Series and GE® Series products

ENGLISH/FRANÇAIS



FRONT CONTROL MODELS



TOP CONTROL MODELS

Write the model and serial numbers here:

Model # _____

Serial # _____

You can find them on a label on the tub wall just inside the door.

THANK YOU FOR MAKING GE APPLIANCES A PART OF YOUR HOME.

Whether you grew up with GE Appliances, or this is your first, we're happy to have you in the family.

We take pride in the craftsmanship, innovation and design that goes into every GE Appliances product, and we think you will too. Among other things, registration of your appliance ensures that we can deliver important product information and warranty details when you need them.

Register your GE appliance now online. Helpful websites and phone numbers are available in the Consumer Support section of this Owner's Manual. You may also mail in the pre-printed registration card included in the packing material.



GE APPLIANCES

Notes

WELCOME

IMPORTANT SAFETY INFORMATION

READ ALL INSTRUCTIONS BEFORE USING THE APPLIANCE

⚠ WARNING For your safety, the information in this manual must be followed to minimize the risk of fire, explosion, electric shock, and to prevent property damage, personal injury, or death.

⚠ WARNING PROPER INSTALLATION AND MAINTENANCE

This dishwasher must be properly installed and located in accordance with the Installation Instructions before it is used. If you did not receive an Installation Instructions sheet with your dishwasher, you can receive one by visiting our Website at GEAppliances.ca.

- Connect the dishwasher/appliance to a grounded metal, permanent wiring system; or run an equipment-grounding conductor with the circuit conductors and connect to the equipment-grounding terminal or lead of the appliance.
 - Improper connection of the equipment-grounding conductor can result in a risk of electric shock. Check with a qualified electrician or service representative if you are in doubt whether the appliance is properly grounded.
 - Dispose of discarded appliances and shipping or packing material properly.
 - Do not attempt to repair or replace any part of your dishwasher unless it is specifically recommended in this manual. All other servicing should be referred to a qualified technician.
 - Use only cord kit WG04F10796 or hard-wire to building electrical. Failure to follow this instruction, could result in risk of fire and personal injury.
 - To minimize the possibility of electric shock, disconnect this appliance from the power supply before attempting any maintenance.
- NOTE:** Turning the dishwasher off does not disconnect the appliance from the power supply. We recommend having a qualified technician service your appliance.

⚠ WARNING WHEN USING YOUR DISHWASHER, FOLLOW BASIC PRECAUTIONS, INCLUDING THE FOLLOWING:

- Use this appliance only for its intended purpose as described in this Owner's Manual.
- Use only detergents or wetting agents recommended for use in a dishwasher and keep them out of reach of children. Using a detergent that is not specifically designed for dishwashers will cause the dishwasher to fill with suds.
- Locate sharp items so that they are not likely to damage the door seal.
- Load sharp knives with the handles up to reduce the risk of cut-type injuries.
- Do not wash plastic items unless marked dishwasher safe or the equivalent. For plastic items not so marked, check the manufacturer's recommendations.
- Do not touch the heating element during or immediately after use.
- Do not operate your dishwasher unless all enclosure panels are properly in place.
- Do not tamper with controls.
- Do not abuse, sit on or stand on the door or dish rack of the dishwasher.
- To reduce the risk of injury, do not allow children to play with, on or inside this appliance at any time.
- Do not store or use combustible materials including gasoline or other flammable liquids or vapors in the vicinity of this or any other appliance.
- Small parts, such as rack clips and filter retaining posts, can be a choke hazard to small children if removed from the dishwasher. Keep out of reach of small children.

READ AND SAVE THESE INSTRUCTIONS

IMPORTANT SAFETY INFORMATION

READ ALL INSTRUCTIONS BEFORE USING THE APPLIANCE

⚠ WARNING WATER HEATER SAFETY

Under certain conditions, hydrogen gas may be produced in a water heater that has not been used for two or more weeks. HYDROGEN GAS IS EXPLOSIVE.

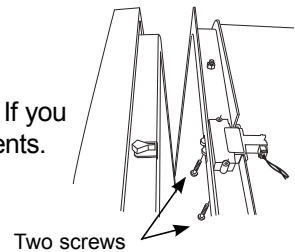
If the hot water has not been used for two or more weeks, prevent the possibility of damage or injury by turning on all hot water faucets and allowing them to run for several minutes. Do this before using any electrical appliance connected to the hot water system. This simple procedure will allow any built-up hydrogen gas to escape. Since the gas is flammable, do not smoke, use an open flame, or use the appliance during this process.

⚠ WARNING RISK OF CHILD ENTRAPMENT

PROPER DISPOSAL OF THE DISHWASHER

Junked or abandoned dishwashers are dangerous...even if they will sit for "just a few days." If you are getting rid of your dishwasher, please follow the instructions below to help prevent accidents.

- Do not allow children to play with, on, or inside this or any discarded appliance.
- Take off the door of the washing compartment or remove the latch by removing the two screws from the latch receiver inside the tub (as shown).



⚠ CAUTION TO PREVENT MINOR INJURY AND PROPERTY DAMAGE

- During or after wash cycle, contents may be hot to the touch. Use care before handling.
- Close supervision is necessary if this appliance is used by or near children. Do not allow children to play around the dishwasher when closing the door, closing the upper rack, or while vertically adjusting the upper rack due to the possibility of small fingers being pinched.
- Non-Dishware Items: Do not wash items such as electronic air cleaner filters, furnace filters and paint brushes in your dishwasher. Damage to the dishwasher and discoloration or staining of the dishwasher may result.
- Load light-weight, plastic items so they do not become dislodged and drop to the bottom of the dishwasher—they might come into contact with the heating element and be damaged.

⚠ CAUTION ELECTRICAL REQUIREMENTS

- This appliance must be supplied with 120V, 60 Hz, and connected to an individual, properly grounded branch circuit, protected by a 15 or 20 amp circuit breaker or time-delay fuse.
- If the electric supply provided does not meet the above specifications, it is recommended that a licensed electrician install an approved outlet.
- Your dishwasher circuit should not be used for any other appliance while the dishwasher is in operation as the dishwasher requires the full capacity of the circuit.

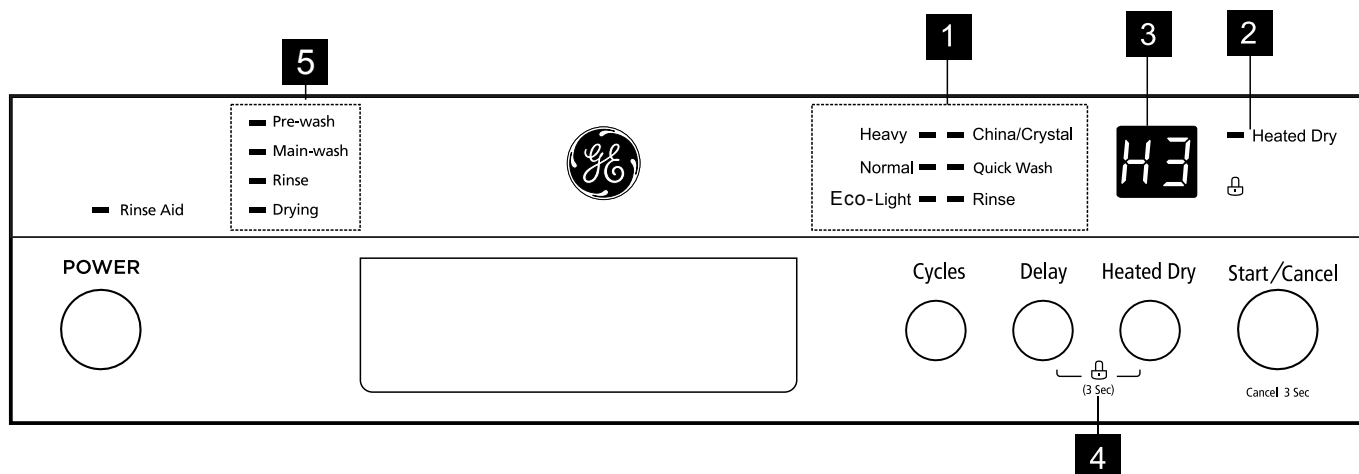
⚠ NOTICE

- If your dishwasher is connected to a wall switch, ensure that the switch is on prior to use.
- If you choose to turn the wall switch off between wash cycles, allow 5-10 seconds after turning the switch on before touching Start to allow the control to initialize.
- Use only powder, **Finish® Quantum® Automatic Dishwashing Detergent**, liquid detergents or rinse agents recommended for use in a dishwasher and keep them out of the reach of children. **Finish® Quantum® Automatic Dishwashing Detergent**, and **Finish® Jet-Dry® Rinse Aid** rinse agents have been approved for use in all GE Appliances dishwashers.

READ AND SAVE THESE INSTRUCTIONS

Getting started

CONTROL PANEL - Model GBF180 Series



1 Wash Cycle Selections

Heavy. This cycle is for hard-to-clean, heavily soiled dishes, pots, pans, and dishes.

Normal. This is standard program. It is for regularly soiled dinner dishes or silverware.

Eco - Light. For lightly soiled loads, such as glasses, crystal and fine china.

Quick-Wash. A shorter wash for lightly soiled loads that do not need drying.

Rinse. Use for rinsing dishes glasses and silverware that will not be washed right away.

2 Heating Dry

When the **Heating Dry** function is selected, the heater will work during the drying process.

3 Functions

Delay. To delay the start of a selected cycle, press the **Delay Start** pad until the desired delay time shows in the LED display. You can delay the start for 1 to 24 hours. To cancel the **Delay Start** option before the delay period is over, press the **Start/Cancel** pad for 3-5 seconds.

Display window. This displays the remained hours and minutes of the running cycle, delay hours and error codes etc.

Start/Cancel. Select the washing program or Cancel the washing program when the machine is working.

4 Child Lock

Press the **Delay** and **Heated Dry** buttons for 3 seconds the lock light will display on the LCD. No buttons can be operated when the dishwasher controls are locked.

To cancel the **Child Lock** option, press the buttons for 3 seconds, the lock light will no longer be shown on the LCD and the dishwasher controls will be unlocked.

5 Cycle progress indicator

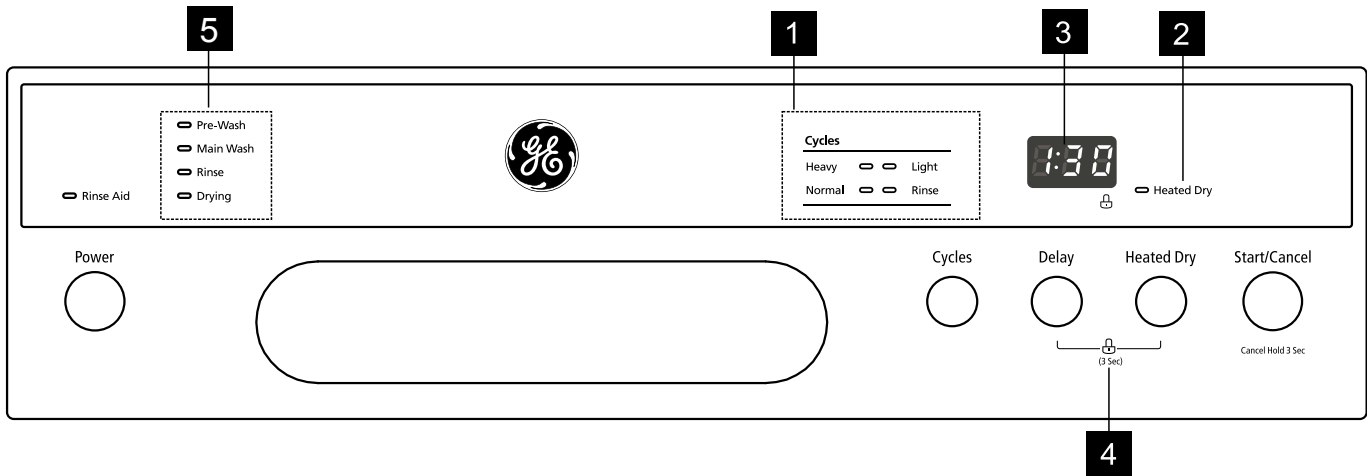
These lights are status indicators while the dishwasher is in operation.

- Pre-wash
- Main-wash
- Rinse
- Drying

Pre- wash	When the dishwasher is in a Pre-wash portion of the cycle, the Pre-wash lights are illuminated.
Main- wash	When the dishwasher is in a Main-wash of the cycle, the Main-wash lights are illuminated.
Rinse	When the dishwasher is in a Rinse portion of the cycle, the Rinse lights are illuminated.
Drying	When the dishwasher is in a Drying portion of the cycle, the Drying lights are illuminated, the Drying lights will turn off after the cycle is ended.

Getting started

CONTROL PANEL - Model GBF412 Series



1 Wash Cycle Selections

Heavy. This cycle is for hard-to-clean, heavily soiled dishes, pots, pans, and dishes.

Normal. This is standard program. It is for regularly soiled dinner dishes or silverware.

Eco - Light. For lightly soiled loads, such as glasses, crystal and fine china.

Quick-Wash. A shorter wash for lightly soiled loads that do not need drying.

Rinse. Use for rinsing dishes glasses and silverware that will not be washed right away.

2 Heated Dry

When the **Heated Dry** function is selected, the heater will work during the drying process.

3 Functions

Delay. To delay the start of a selected cycle, press the **Delay Start** pad until the desired delay time shows in the LED display. You can delay the start for 1 to 24 hours. To cancel the **Delay Start** option before the delay period is over, press the **Start/Cancel** pad for 3-5 seconds.

Display window. This displays the remained hours and minutes of the running cycle, delay hours and error codes etc.

Start/Cancel. Select the washing program or Cancel the washing program when the machine is working.

4 Child Lock

Press the **Delay** and **Heated Dry** buttons for 3 seconds, the lock light will display on the LCD. No buttons can be operated when the dishwasher controls are locked. To cancel the **Child Lock** option, press the buttons for 3 seconds, the lock light will no longer be shown on the LCD and the dishwasher controls will be unlocked.

5 Cycle progress indicator

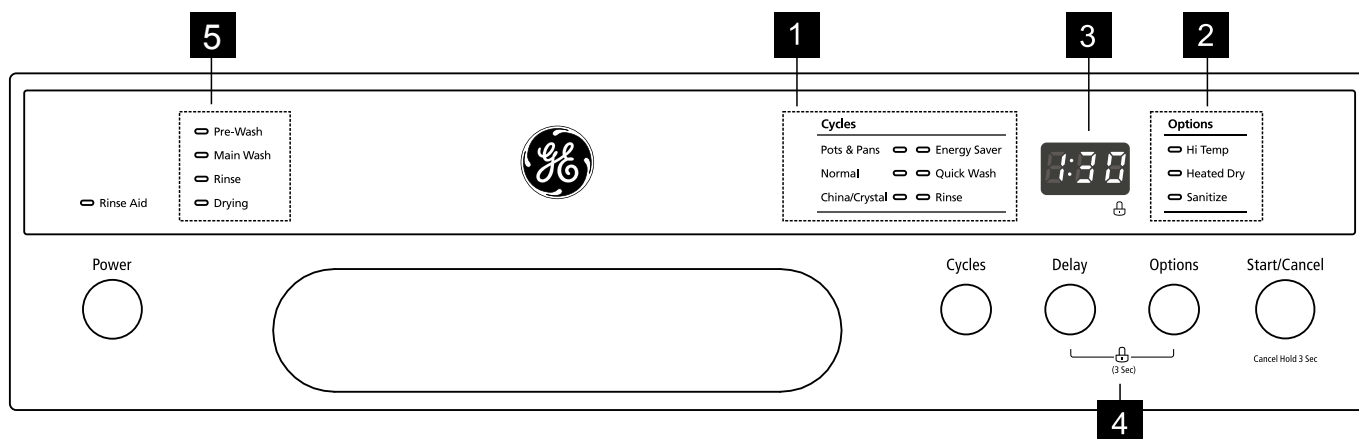
These lights are status indicators while the dishwasher is in operation.

- Pre-wash
- Main-wash
- Rinse
- Drying

Pre- wash	When the dishwasher is in a Pre-wash portion of the cycle, the Pre-wash lights are illuminated.
Main- wash	When the dishwasher is in a Main-wash of the cycle, the Main-wash lights are illuminated.
Rinse	When the dishwasher is in a Rinse portion of the cycle, the Rinse lights are illuminated.
Drying	When the dishwasher is in a Drying portion of the cycle, the Drying lights are illuminated, the Drying lights will turn off after the cycle is ended.

Getting started

CONTROL PANEL - Model GBF532 Series



1 Wash Cycle Selections

Select the appropriate wash cycle depending on the soil level of your dishes. After you select a cycle, the **Cycle On** light for that cycle lights up. If you want to cancel the selected cycle, press the selected cycle button again.

Pots and Pans. This cycle is for hard-to-clean, heavily soiled dishes, pots, pans, and dishes.

Normal. This is standard program. For regularly soiled dinner dishes or silverware.

Energy Saver. It is suitable to clean normally soiled tableware and it is the most efficient program in terms of its combined energy and water consumption for that type of tableware.

China/Crystal. For lightly soiled loads, such as glasses, crystal and fine china.

Quick-Wash. A shorter wash for lightly soiled loads that do not need drying.

Rinse. Use for rinsing dishes glasses and silverware that will not be washed right away.

2 Options

Sanitize. When the **Sanitize** function is selected, the temperature of water will be maintained at 69°C (156.2°F) max. The max temperature may not be reached if the incoming water temperature is not correct. Certified residential dishwashers are not intended for licensed food establishments. **WARNING:** The sanitize option is available with **Heavy, Normal** and **Light** cycles.

Hi Temp. When the **Hi Temp** wash function is selected, the temperature of the water will be maintained at 60°C (140°F) max.

Heated Dry. When the **Heated Dry** function is selected, the heater will work during the drying process.

3 Functions

Delay. To delay the start of a selected cycle, press the **Delay Start** pad until the desired delay time shows in the LED display. You can delay the start for 1 to 24 hours. To cancel the **Delay Start** option before the delay period is over, press the **Start/Cancel** pad for 3-5 seconds.

Display window. This displays the remaining hours and minutes of the running cycle, delay hours and error codes, etc.

Start/Cancel. Select or Cancel the washing program when the machine is working.

4 Child Lock

Press **Delay** and **Heated Dry** buttons for 3 seconds, the lock light will display on the LCD. No buttons can be operated when the dishwasher controls are locked. To cancel the **Child Lock** option, press the buttons for 3 seconds, the lock light will no longer be shown on the LCD and the dishwasher controls will be unlocked.

5 Cycle progress indicator

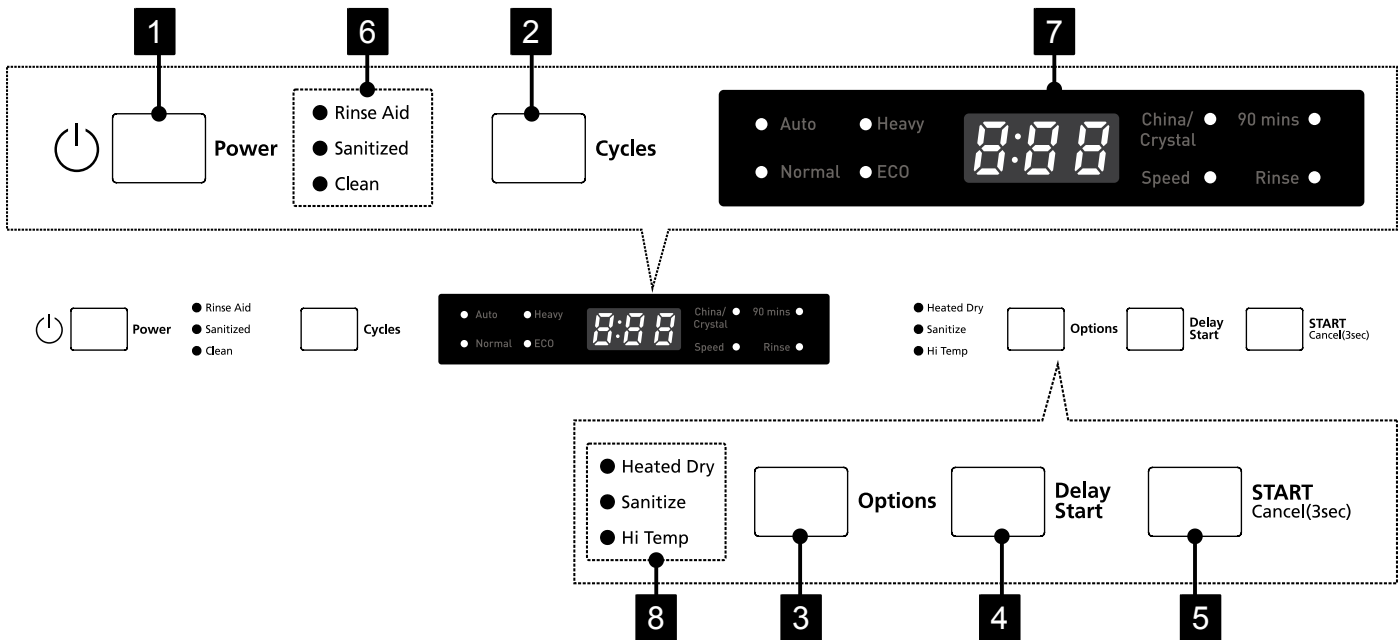
These lights are status indicators while the dishwasher is in operation.

- Pre-wash
- Main-wash
- Rinse
- Drying

Pre-wash	When the dishwasher is in a Pre-wash portion of the cycle, the Pre-wash lights are illuminated.
Main-wash	When the dishwasher is in a Main-wash of the cycle, the Main-wash lights are illuminated.
Rinse	When the dishwasher is in a Rinse portion of the cycle, the Rinse lights are illuminated.
Drying	When the dishwasher is in a Drying portion of the cycle, the Drying lights are illuminated, the Drying lights will turn off after the cycle is ended.

Getting started

CONTROL PANEL - Model GBT412/632 Series



1 Power Button

Switch on / off the power by pushing.

2 Cycles Button

To select the program by pushing.

3 Options Button

To select a function after setting a program.

4 Delay Start Button

To set the delay start time, showing in the display window as H01- H24.

5 Start/Cancel Button

Select or pause the washing program when the machine is working.

6 Wash Cycle selections

Rinse Aid. When the indication light is on, add rinse agent such as **Finish® Jet-Dry® Rinse Aid** to the rinse agent dispenser. See Dispensers section.

NOTE: The use of rinse aid can further enhance the dishwasher's drying performance.

Sanitized. Displayed at end of the cycle when the Sanitize option has been selected and dishwasher has met requirements for sanitization.

Clean. Displayed when a wash cycle is complete. The light stays ON as a reminder that the dishes are clean.

7 Display - Wash Cycle selections

Auto. Auto sensing wash, lightly, or heavily soiled crockery, with or without dried-on food

Heavy. This cycle is for hard-to-clean, heavily soiled dishes, pots, pans, and dishes.

Normal. For regularly soiled dinner dishes or silverware.

ECO. This is a standard program, suitable to clean normally soiled tableware and is the most efficient program in terms of combined energy and water consumption for that type of tableware.

China/Crystal. For lightly soiled loads, such as glasses, crystal and fine china.

90 mins. Lightly soiled plates and pans that need a quick wash.

Speed. Shorter wash for lightly soiled loads that do not need drying.

Rinse. Use for rinsing dishes glasses and silverware that will not be wash right away.

8 Options

Heated Dry. When the Heated Dry function is selected, the heater will work during the drying process.

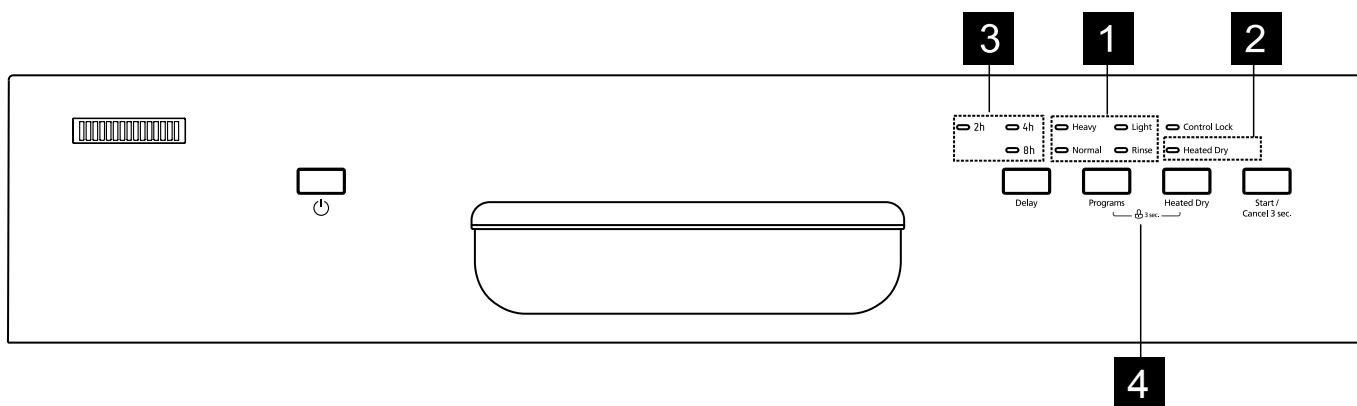
Sanitize. When the "Sanitize" function is selected, the temperature of water will be maintained at 69°C (156.2°F) max. The max. temperature may not be reached if the incoming water temperature is not correct. Certified residential dishwashers are not intended for licensed food establishments.

WARNING: The sanitize option is available with Normal, Heavy and Energy cycles.

Hi Temp. When the Hi Temp function is selected, the temperature of the water will be maintained at 60°C (140°F) max.

Getting started

CONTROL PANEL - Model MBF422 Series



1 Wash Cycle Selections

Select the appropriate wash cycle depending on the soil level of your dishes. After you select a cycle, the **Cycle On** light for that cycle lights up. If you want to cancel the selected cycle, press the selected cycle button again.

Heavy. This cycle is for hard-to-clean, heavily soiled dishes, pots, pans, and dishes.

Normal. This is a standard program. For regularly soiled dinner dishes or silverware.

Light. It is suitable to clean normally soiled tableware and it is the most efficient program in terms of its combined energy and water consumption for that type of tableware.

Rinse. Use for rinsing dishes glasses and silverware that will not be washed right away.

2 Heated Dry

When the **Heated Dry** function is selected, the heater will work during the drying process.

3 Functions

Delay. To delay the start of a selected cycle, press the **Delay Start** pad until the desired delay time shows in the LED display. You can delay the start for 1 to 24 hours. To cancel the delay start option before the delay period is over, press the **Start/Cancel** pad for 3-5 seconds.

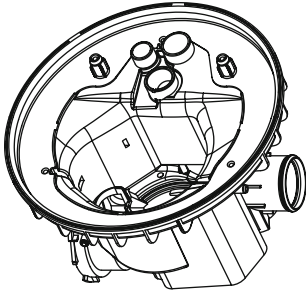
Display window. This displays the remaining hours and minutes of the running cycle, delay hours and error codes, etc.

Start/Cancel. Select the washing program or Cancel the washing program when the machine is working.

4 Child Lock

Press the **Programs** and **Heated Dry** buttons for 3 seconds the lock light will display on the LCD. No buttons can be operated when the dishwasher controls are locked. To cancel the **Child Lock** option, press the buttons for 3 seconds, the lock light will no longer be shown on the LCD and the dishwasher controls will be unlocked.

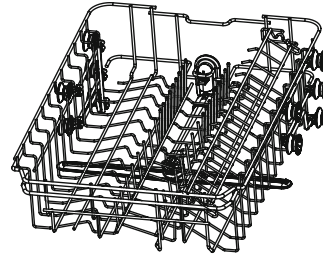
Getting Started



Filter System

Your dishwasher has a multiple **Filter System**. In the System there are three mesh filters. It can separate soiled water and clean water in different chambers.

The multiple filter system helps your dishwasher to get better performance with less water and less energy.

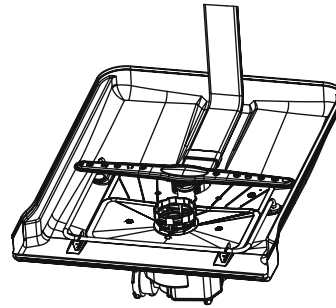


Smart Wash System

Your dishwasher has a **Smart Wash System**.

When a partial load of lightly soiled dishes is placed in the unit, a wash cycle similar to a short wash will automatically be performed.

When a full load of heavily soiled dishes is placed in the unit, a heavy wash cycle will automatically be performed. It can determine the type of cycle required to clean the dishes and will clean more efficiently every time.



How your dishwasher cleans

Your dishwasher cleans by spraying a mixture of hot water and detergent through the spray arms against soiled surfaces. The dishwasher fills with water covering the filter area. Water is then pumped through the multiple filter and spray arms. Separated soil particles go down the drain as the water is pumped out and replaced with clean water.

The number of water fills will vary with the cycle being used.

Getting Started

1. Load the dishwasher (See *Dish Preparation and Loading sections*).
2. Add detergent (See *Filling the detergent dispenser*).
3. Add rinse aid (See *Filling the rinse aid dispenser*).
4. Close door.
5. Press the **Power** button, and then select desired **Cycle** (See *Cycle Chart*).
6. Select desired **Options** (See *Control Panel*). The indicator light above the pad will glow when selected.
7. Run the hot water faucet nearest the dishwasher until the water is hot, then turn it off.
8. To start, press **Start/Cancel** (See *Control Panel*).

Note: Your dishwasher has the controls mounted in the front of the door. The door should be closed first if you want to operate the machine.

Wash Cycle Selections

Cycle times are approximate and will vary with the options selected. Hot water is necessary to activate the detergent and melt fatty food soils. An automatic sensor will check the incoming water temperature. If it is not at the appropriate temperature the timer will delay the cycle to allow automatic water heating during the main wash.

When the **Hi-Temp** wash is selected an even higher temperature will be assured to handle heavier soil loads.

Loading

Dish Preparation

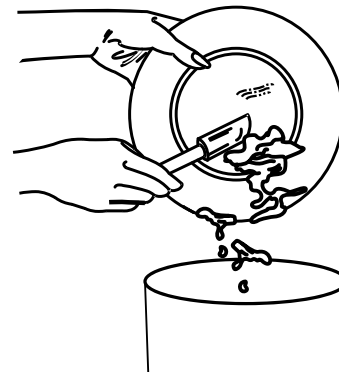
Scrape away large pieces of food, bones, pits, toothpicks, etc.

The continuously filtered wash system will remove the remaining food particles. Burned-on foods should be loosened before loading. Empty liquids from glasses and cups.

Foods such as mustard, mayonnaise, vinegar, lemon juice and tomato based products may cause discoloration of stainless steel and plastics if allowed to sit for a long period of time.

Unless the dishwasher is to be operated at once it is best to rinse off these food soils.

If the dishwasher drains into a food disposer, be sure disposer is completely empty before starting the dishwasher.



Loading the Upper Basket

The upper basket is designed for cups, glasses, small plates, bowls and plastic items marked dishwasher safe, etc. For best results, place the bowls, cups, glasses, sauce pans with soiled surface facing down or toward the center. Tilt slightly for better drainage.

Loading the Bottom Basket

The bottom basket is designed to load plates, soup bowls, plates, saucers and cookware. The adjustable basket space will allow you to load items with a maximum height of 11 inches (27.9 cm).

The fold-down tins in the bottom basket make it easy to load those extra large and hard-to-fit items. The tins may be left up for normal use or folded down for more flexible loading. Fold down for more space to load large pots or pans.



Make sure the loaded dishes do not interfere with the rotation of the middle spray arm, which is located at the bottom of the upper basket.

(Check this by rotating the middle spray arm by hand.)



Large items should be placed along the edge so they do not interfere with the middle spray arm rotation, and make sure they not prevent the detergent dispenser from opening.

Large items should be turned so that the inside faces downward, and make sure these items do not interfere with the lower spray arm rotation.

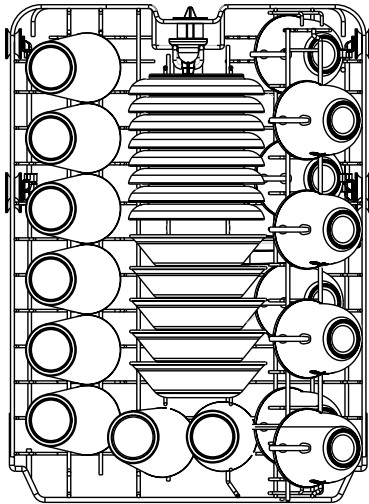
Loading

Loading the Lower Basket

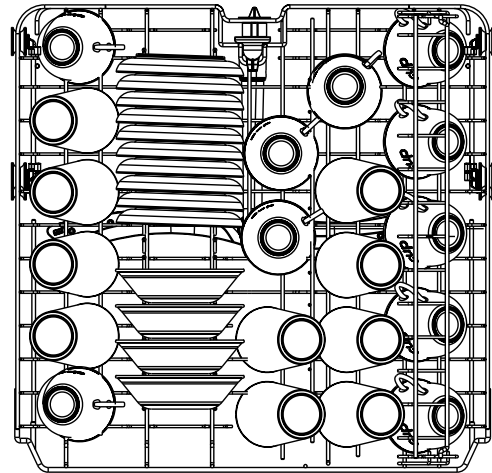
The lower basket has been especially designed for dinner dishes, soup bowls, plates, pots, lids, casserole dishes, and plates.

Load large items such as pans and pots into the dishwasher so their open sides face downwards. We recommend loading cups, stemware, and small plates into the upper basket.

See the recommended loading patterns below.



8 Place Setting - GBF180 Series Only



10 Place Setting

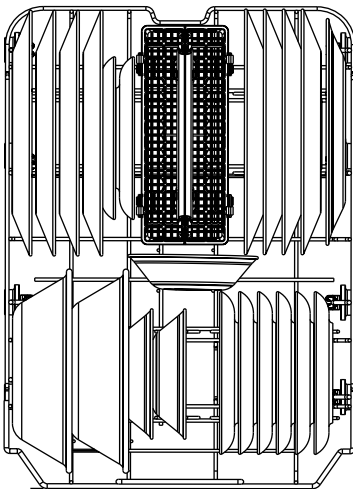
Loading the Upper Basket

The upper basket has been designed for small plates, mugs, glasses, and plastic items marked “dishwasher safe”. Load your plates into the dishwasher in two half rows, so that the front of each plate faces the back of the plate in front of it, and the open sides of the plates at the center of the dishwasher face each other.

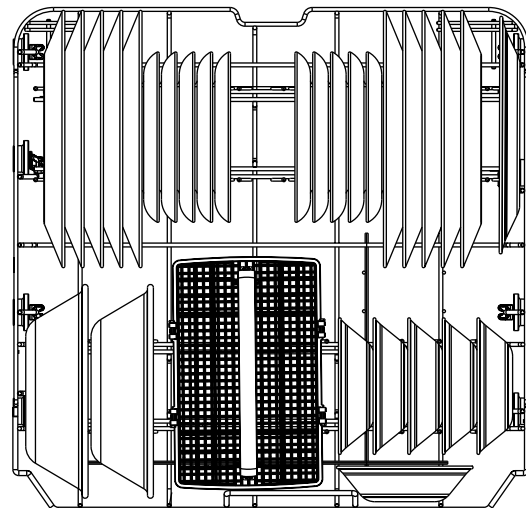
Make sure the loaded dishes do not interfere with the rotation of the nozzle which is located at the bottom of the upper basket. (Check this by rotating the nozzle by hand.)

When loading dishes, pull the upper basket out sufficiently so you can load it without striking the counter.

See the illustrations below.



8 Place Setting - GBF180 Series Only

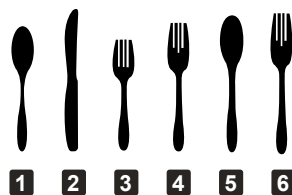


10 Place Setting

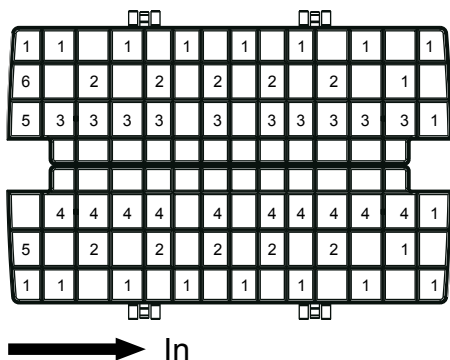
Loading

Loading the Silverware Basket

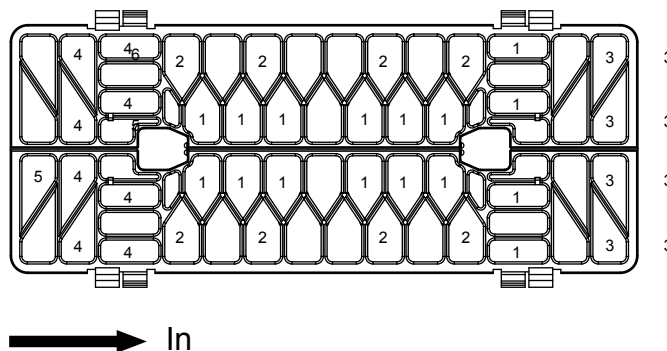
The silverware basket can be divided into three separate modules that can be used in both upper and lower racks.



- 1. Spoons
- 2. Knives
- 3. Salad forks
- 4. Forks
- 5. Large spoons
- 6. Large forks



Modules for 10 place setting models



Modules for 8 place setting models



WARNING

1. Do not let items extend through bottom.
2. Be sure nothing protrudes through bottom of the basket or rack to block the lower spray arm.

Adding a Dish

To add or remove items after a washing cycle starts:

1. Open door slightly and wait a few seconds until wash action stops before completely opening.
2. Add the item.
3. Close the door firmly to latch within 4 secs, then the cycle will resume automatically.



CAUTION TO AVOID BURN INJURY:

Slightly open door and wait until spray arms and wash action stop.
Hot water may splash out of dishwasher.
Failure to do so may result in injury.

Filling the Rinse Aid dispenser

Rinse aid greatly improves drying and reduces water spots and filming.

Without rinse aid your dishes and dishwasher interior will have excessive moisture.

The **Heated Dry** option will not perform as well without rinse aid. The rinse aid dispenser, located next to the Detergent cup, automatically releases a measured amount of rinse aid during the last rinse.

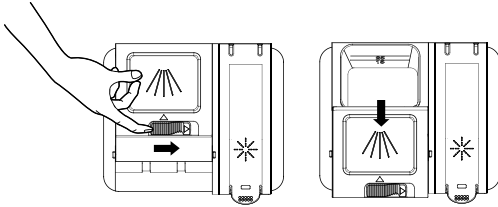
If the rinse aid is low, the **Rinse Aid** light is illuminated at the beginning and end of the cycle indicating that it is time to refill.



Your dishwasher is designed to use a liquid rinse aid.

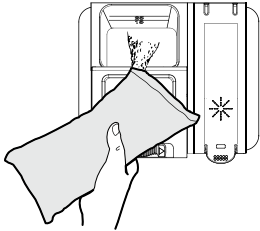
The use of rinse greatly improves drying performance after the final rinse. Do not use a solid or bar-type rinse aid. Under normal conditions, the rinse aid will last approximately one month. It is best to keep it full, but do not over fill.

Dispensers

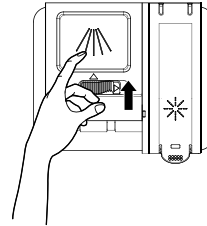


1. Open the detergent dispenser cap by pushing the detergent dispenser release catch.

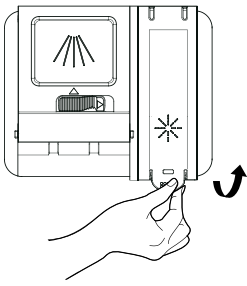
NOTE: The flap is always open at the end of a dishwashing cycle.



2. Add the recommended amount of detergent to the main wash detergent compartment.



3. Close the flap and then press it down.



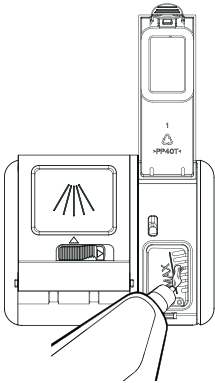
Filling the Rinse Aid dispenser

Your dishwasher has been designed to use liquid rinse aid only. Using a powdered rinse aid will clog the reservoir opening and cause the dishwasher to malfunction. Rinse aid improves the drying performance of the dishwasher.



Do not add regular detergent to the rinse aid reservoir.

1. Remove the rinse aid reservoir cap by rotating it counterclockwise.



2. Fill the rinse aid reservoir with rinse aid.

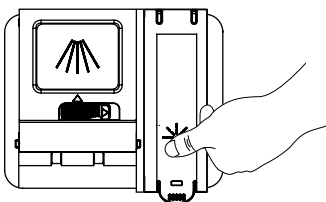
NOTE: Use the viewing port when filling the rinse aid reservoir.



Do not fill the reservoir above the full level indicator. Excess rinse aid can overflow during the wash cycle.



3. Add the rinse aid if the LED screen shows **LSb**.



4. Close the rinse aid reservoir cap by rotating it clockwise.

Care and Cleaning

Keeping your dishwasher clean improves its performance, reduces unnecessary repairs, and lengthens its life.

Cleaning the Exterior

It's best to clean spills on the outside of your dishwasher as they occur. Use a soft, damp cloth on the control panel to gently wipe away spills and dust. Do not use benzene, wax, thinner, chlorine bleach, or alcohol. These materials may discolor the inner walls and cause stains. Do not clean the dishwasher by sprinkling water over it and avoid letting water come into contact with any of the electrical parts.

NOTE: If your dishwasher has a stainless steel door panel, you can clean it with a stainless steel cleaner for Home Appliances or a similar product using a clean, soft cloth.

Cleaning the Interior

Clean the interior of your dishwasher periodically to remove any dirt or food particles. Wipe the inside of the dishwasher and the inner part of the door with a wet dishcloth. We recommend filling the detergent dispenser with dish detergent, and then running the dishwasher empty periodically using either the **Normal** or **Express 60** cycle with the **Sanitize** option. This will keep your dishwasher clean.

If white spots and odor are still present in your dishwasher, run the **Normal** cycle with the dishwasher empty and without detergent until it finishes. Then, interrupt the cycle and put an 8 ounce cup of white vinegar into the lower basket. Close the dishwasher and let the cycle finish.

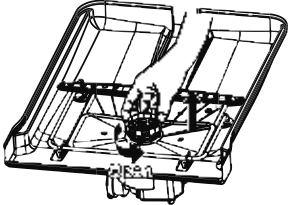


Do not remove the tub front seal (the long rubber seal enclosing the opening of the dishwasher).

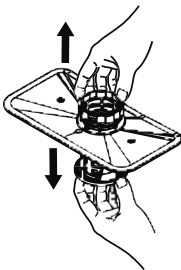


Do not touch the HEATING ELEMENT during or immediately after use.

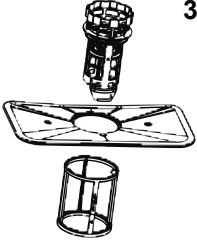
1. Turn off the dishwasher.



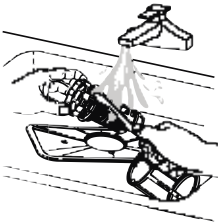
2. Rotate the filter, insert counter-clockwise to unfasten and then detach the filter insert.



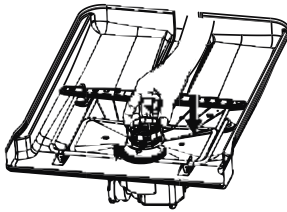
3. Remove the fine filter (flat, rectangular).




4. Remove any dirt or other remains from the filters, and then rinse them under running water.



5. Reassemble the filters in the reverse order of disassembly, replace the filter insert, and rotate clockwise to the close arrow.



CAUTION: If the filter insert is not closed properly, its performance will be decreased.

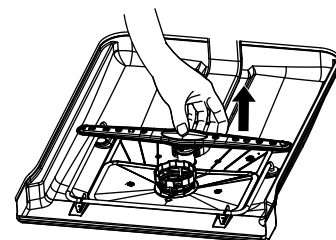


Cleaning the Nozzles

If your dishwasher does not seem to be cleaning adequately or the nozzles seem clogged, you can clean each of the nozzles. When removing the nozzles, take care as they may break.

Lower nozzle

1. Check whether the nozzle holes are clogged by food particles.
2. If cleaning is needed, remove the nozzle by pulling it upwards.
3. Clean the nozzle, and then push it back into place.
4. Check whether the nozzle is engaged correctly by rotating it by hand.



Troubleshooting tips ... Before you call for service

Problem	Possible Cause	What To Do
Start status indicator light flashing (on some models)	The door was opened or the cycle was interrupted.	Press the Start pad once and close the door within 4 seconds to start the dishwasher.
Dishwasher BEEPS once every minute (on some models)	This is a reminder that your dishwasher door has been left open during operation. It will continue beeping until you press Start and close the door.	Press Start and close the door.
Beeping at the end of the cycle (on some models)	This is normal. Dishwasher will beep twice at the end of the cycle.	To turn off the double beep indicator (or re-activate it if it was previously turned off), press the Heated Dry pad 5 times within 3 seconds. A triple beep will sound to indicate the end-of-cycle beep option has been turned on or off.
Dishes and flatware not clean	Ultra-Fine Filter or Fine Filter is clogged.	See the Care and Cleaning section.
	Low inlet water temperature.	Make sure inlet water temperature is correct (see the USING THE DISHWASHER section). Turn on the hot water faucet nearest the dishwasher, let run until the water temperature stops rising. Then start the dishwasher and turn off the faucet. This ensures the entering water is hot. Select Wash Temp Boost if available.
	Water pressure is temporarily low.	Turn on a faucet. Is water coming out more slowly than usual? If so, wait until pressure is normal before using your dishwasher. Normal water pressure to the dishwasher should be 20-120 psi.
	Air gap or disposer clogged.	Clean the air gap or flush the disposer.
	High drain loop or air gap not installed.	Refer to the Installation Instructions for proper drain line installation.
	Improper rack loading.	Make sure large dishware does not block the detergent dispenser or the wash arms. See the Loading section. When large utensils are placed in the silverware basket, do not mount the basket on the door (on some models). Instead, mount basket on the lower rack.
	Poor performing detergent.	Use a highly rated detergent such as Finish® Quantum® Automatic Dishwashing Detergent .
Spots and filming on glasses and flatware	Extremely hard water.	Use rinse agents such as Finish® Jet-Dry® Rinse Aid to prevent spots and prevent new film build-up. If water is extremely hard, a softener may be required.
	Low inlet water temperature.	Make sure water temperature is at least 120°F (49°C).
	Overloading or improper loading of the dishwasher.	Load dishwasher as shown in the Loading section.
	Old or damp powder detergent.	Make sure detergent is fresh. Use a highly rated detergent such as Finish® Quantum® Automatic Dishwashing Detergent .
	Rinse agent dispenser empty.	Refill with rinse agent such as Finish® Jet-Dry® Rinse Aid .
	Too little or low performing detergent.	Make sure you use the proper amount of highly rated detergent.
Cloudiness on glassware	Combination of soft water and too much detergent.	This is called etching and is permanent. To prevent this from happening, use less detergent if you have soft water. Wash glassware in the shortest cycle that will get it clean.
	Low performing phosphate-free detergent.	See A white film on glassware, dishware and the interior in this TROUBLESHOOTING TIPS section.
	Water temperature entering the dishwasher exceeds 150°F (66°C)	This could be etching. Lower the water heater temperature.

Troubleshooting tips ... Before you call for service

Problem	Possible Cause	What To Do
Suds in the tub	Wrong detergent.	Use only automatic dishwasher detergents to avoid sudsing. Finish® Quantum® Automatic Dishwashing Detergent has been approved for use in all GE Appliances dishwashers. To remove suds from the tub, open the dishwasher and let suds dissipate. Pump out water by pressing Start and close the door. Wait 30 seconds. Open the door, press and hold Start for 3 seconds, and close the door. Repeat if necessary.
	Rinse agent was spilled.	Always wipe up rinse agent spills immediately.
Detergent left in dispenser cups	Dishes or utensils are blocking the detergent cup.	Reposition the dishes, so the water from the lower spray arm can flush the detergent cup. See the Loading section. Reposition the tall utensils or heavy silverware that may be keeping the dispenser cup door from opening. See the Loading section.
Black or gray marks on dishes	Aluminum utensils have rubbed against dishes.	Remove marks with a mild, abrasive cleaner.
Dishes don't dry	Low inlet water temperature.	Make sure inlet water temperature is at least 120°F (49°C). Select Heated Dry or Dry Boost . Use Wash Temp Boost .
	Rinse agent dispenser is empty.	Check the rinse agent dispenser and fill as required.
	Additional drying time is needed.	Leave door closed after the Clean light appears to allow the fan to run an additional 90 minutes (on some models). Note: If you open the door, this fan extension will be cancelled.
	Cycle selection.	If using Light cycle which uses lower water temperature and thus limited dry performance, switch to a different cycle.
Long cycle times	Cycle completion.	Allow cycles to fully complete. See Long cycle times in this TROUBLESHOOTING TIPS section.
	Dishwasher washes by alternating mid and lower spray arms.	Longer cycles are normal. For best wash and dry performance, let cycle complete.
Control panel responded to inputs but dishwasher never filled with water	Soil level.	The turbidity sensor senses how much soil is on the dishes. Heavy soiled dish loads will add more time to the cycle. This is normal function. For best wash and dry performance, allow cycle to complete.
	Door may not be completely closed.	Make sure the door is firmly closed.
	Water valve may be turned off.	Make sure water valve (usually located under the sink) is turned on.
	Flood float may be stuck.	Remove Ultra-Fine filter and lightly tap the piece under the ultra fine filter that looks like a salt shaker. Replace the filter

Troubleshooting tips ... Before you call for service

Problem	Possible Cause	What To Do
Stained tub interior	Some tomato-based foods can cause reddish stains.	Use of the Steam Sani cycle (on some models) after adding the dish to the load can decrease the level of staining.
	Tea or coffee stains.	Remove the stain by hand, using a solution of 1/2 cup (120 ml) (bleach and 3 cups warm water. NOTE: Do not use bleach on stainless steel inner door. ⚠ CAUTION Before cleaning interior, wait at least 20 minutes after a cycle for the heating elements to cool down. Failure to do so can result in burns.
	An overall yellow or brown film can be caused by iron deposits in water.	A special filter in the water supply line is the only way to correct this problem. Contact a water softener company.
	White film on inside surface—hard water minerals	GE Appliances recommends Finish® Jet-Dry® Rinse Aid to help prevent hard water mineral deposits from forming. Run dishwasher with citric acid to remove mineral deposits. Citric acid (Part number: WD35X151) can be ordered through GE Appliances Parts. See back cover for ordering information. Alternatively, purchase Finish® Dishwasher Cleaner and follow the directions on the label.
Dishwasher won't run	Fuse is blown or circuit breaker is tripped.	Replace fuse or reset circuit breaker. Remove any other appliances from the circuit.
	Power is turned off.	In some installations, the power to the dishwasher is provided through a wall switch, often located next to the disposer switch. Make sure it is on.
	Control panel is locked.	Unlock control panel. See the Getting started section.
Control panel lights go off when you're setting controls	Time too long between touching of selected buttons.	Each pad must be touched within 30 seconds of the others. To relight, touch any pad again or open the door and unlock (top control).
Water standing in the bottom of the tub	Air gap is clogged.	Clean the air gap. See the CARE AND CLEANING section.
	High drain loop or air gap not installed.	Refer to the Installation Instructions for proper drain line installation.
Water won't pump out of the tub	Drain is clogged.	If you have an air gap, clean it. See the CARE AND CLEANING section. If the dishwasher drains into a disposer, run disposer clear. Check to see if your kitchen sink is draining well. If not, you may need a plumber.

Troubleshooting tips ... Before you call for service

Problem	Possible Cause	What To Do
Steam	This is normal.	Warm, moist air comes through the vent during drying and when water is being pumped out. This is necessary for drying.
Sanitized light does not illuminate at the end of the cycle	The door was opened and the cycle was interrupted during final rinse.	Do not interrupt the cycle by opening the door during the wash cycle.
	The incoming water temperature was too low.	Raise the water heater temperature to between 120°F (49°C) and 150°F (66°C).
Noise	Normal operating sounds: Beeping at the end of the cycle (on some models). Detergent cup opening. Water entering dishwasher. Motor stops and starts at various times during cycle. Spray arms start and stop at various times. Drain pump sounds during pump out. Drain pump starts and stops several times during each drain.	These are all normal. No action is required.
	Rattling dishes when the spray arm rotates.	Make sure dishes are properly loaded. See the Loading section.
	Rattling silverware against door during wash.	Tall utensils may be placed in the upper rack to avoid bumping against inner door during wash cycle.
A white film on glassware, dishware and the interior	This problem is likely caused by a low quality phosphate-free dishwasher detergent.	To remove the white film, run your dishes through a dishwasher cycle with citric acid. Use Finish® Dishwasher Cleaner found at your local grocery store. Pour the citric acid in the detergent cup and close the cover. Place the filmed but otherwise clean glassware and dishware in the dishwasher. Leave silverware and other metal items out of the dishwasher. Turn the dishwasher on and let it run through a complete cycle without detergent. The glassware, dishware, and dishwasher should come out film free. Alternatively, a vinegar rinse may be used. Pour 1 cup (240 ml) of vinegar into dishwasher just after the detergent cup opens and let the dishwasher complete its cycle. This may be repeated several times a year as needed. The use of a rinse agent such as Finish® Jet-Dry® Rinse Aid may help minimize a repeat build up of film. Also, the use of a highly rated detergent such as Finish® Quantum® Automatic Dishwashing Detergent will help prevent film build-up.

GE Appliances Dishwasher Warranty

WARRANTY

GEAppliances.ca

All warranty service is provided by our Factory Service Centers, or an authorized Customer Care® technician. To schedule service online, visit us at GEAppliances.ca/en/support/service-request/, or call GE Appliances at 800.561.3344. Please have your serial number and your model number available when calling for service.

Servicing your appliance may require the use of the onboard data port for diagnostics. This gives a GE Appliances factory service technician the ability to quickly diagnose any issues with your appliance and helps GE Appliances improve its products by providing GE Appliances with information on your appliance. If you do not want your appliance data to be sent to GE Appliances, please advise your technician not to submit the data to GE Appliances at the time of service.

For the period of	GE Appliances will replace
One year From the date of the original purchase	Any part of the dishwasher which fails due to a defect in materials or workmanship. During this limited one-year warranty , GE Appliances will provide, free of charge , all labor and in-home service to replace the defective part.

What GE Appliances will not cover (for customers in Canada):

- Service trips to your home to teach you how to use the product.
- Improper installation, delivery, or maintenance.
- Failure of the product if it is abused, misused or used for other than the intended purpose or used commercially.
- Replacement of house fuses or resetting of circuit breakers.
- Product not accessible to provide required service.
- Damage to the product caused by accident, fire, floods, or acts of God.
- Incidental or consequential damage caused by possible defects with this appliance.
- Cleaning or servicing of the air gap device in the drain line.
- Damage caused after delivery including damage from items dropped on the door.

This warranty is extended to the original purchaser and any succeeding owner for products purchased for home use within Canada. If the product is located in an area where service by a GE Appliances Authorized Servicer is not available, you may be responsible for a trip charge or you may be required to bring the product to an Authorized GE Appliances Service location for service.

Staple your receipt here. Proof of the original purchase date is needed to obtain service under the warranty.

EXCLUSION OF IMPLIED WARRANTIES

Your sole and exclusive remedy is product repair as provided in this Limited Warranty. Any implied warranties, including the implied warranties of merchantability or fitness for a particular purpose, are limited to one year or the shortest period allowed by law.

WARRANTOR IS NOT RESPONSIBLE FOR CONSEQUENTIAL DAMAGES.

Extended Warranties: Purchase a GE Appliances extended warranty and learn about special discounts that are available while your warranty is still in effect. Contact your retailer of purchase for more details.

Warrantor: MC Commercial Inc.

Consumer Support

GE Appliances Website

Have a question or need assistance with your appliance? Try the GE Appliances Website 24 hours a day, any day of the year! You can also shop for more great GE Appliances products and take advantage of all our on-line support services designed for your convenience. In Canada: **GEAppliances.ca**.

Register Your Appliance

Register your new appliance on-line at your convenience! Timely product registration will allow for enhanced communication and prompt service under the terms of your warranty, should the need arise. You may also mail in the pre-printed registration card included in the packing material. In Canada: **GEAppliances.ca/en/support/register-your-appliance**.

Schedule Service

Expert GE Appliances repair service is only one step away from your door. Get on-line and schedule your service at your convenience any day of the year. In Canada: **GEAppliances.ca/en/support/service-request** or call 800.561.3344 during normal business hours.

Extended Warranties

Contact your retailer of choice regarding extended warranties to purchase a GE Appliances extended warranty and learn about special discounts that are available while your warranty is still in effect.

Parts and Accessories

Individuals qualified to service their own appliances can have parts or accessories sent directly to their homes via their local parts distributor. Or, call 800.661.1616 during normal business hours.

Instructions contained in this manual cover procedures to be performed by any user. Other servicing generally should be referred to qualified service personnel. Caution must be exercised, since improper servicing may cause unsafe operation.

Contact Us

If you are not satisfied with the service you receive from GE Appliances, contact us on our Website with all the details including your phone number, or write to:

Director, Customer Relations | MC Commercial Inc. | Suite 310 - 1 Factory Lane, Moncton NB, E1C 9M3