

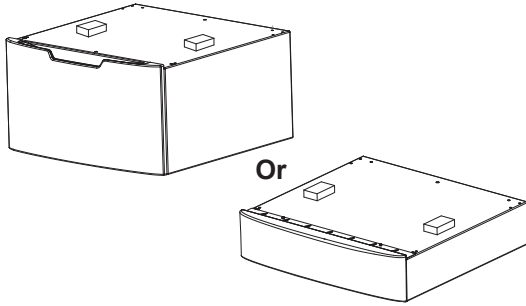
Installation Instructions

Pedestal/Riser Kit GFP1528/GFR0728

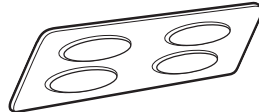
If you have questions, call GE Appliances at 800.GE.CARES (800.432.2737) or visit our Website at: GEAppliances.com
In Canada, call 800.561.3344 or visit GEAppliances.ca

KIT CONTAINS

□ Pedestal or Riser



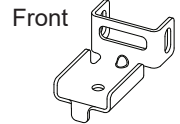
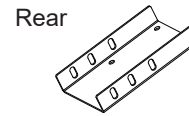
□ Drawer Divider
(Pedestal Kit Only)



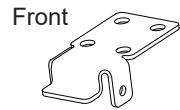
□ Installation Screws
(#8-18 x 7/16) - 22



□ Pedestal or Riser Brackets - 2 each



□ Washer/Dryer Brackets - 2 each



TOOLS YOU WILL NEED

□ Safety Glasses



□ 1/4" Socket & Nut Driver



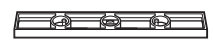
□ Gloves



□ 9/16" Open end wrench



□ Level



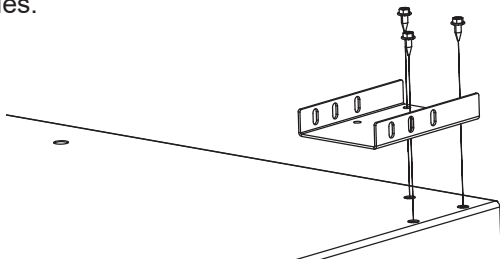
IMPORTANT: Shipping bolts should remain in place during installation.

PREPARE THE PEDESTAL/RISER

1 INSTALL REAR PEDESTAL/RISER BRACKETS

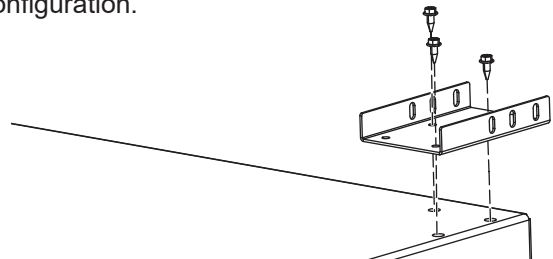
FOR DRYER AND 32" WASHER

Align rear pedestal/riser bracket as shown on both sides.



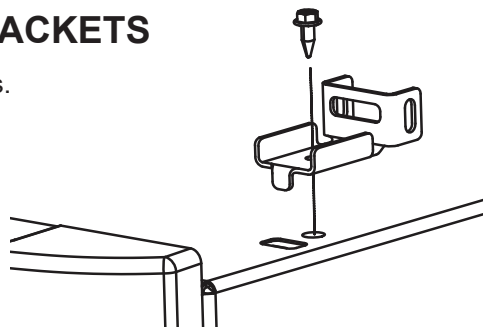
FOR 34" WASHER

Install pedestal/riser bracket rotated 180° from dryer configuration.



2 INSTALL FRONT PEDESTAL BRACKETS

Install front pedestal/riser brackets on both sides.



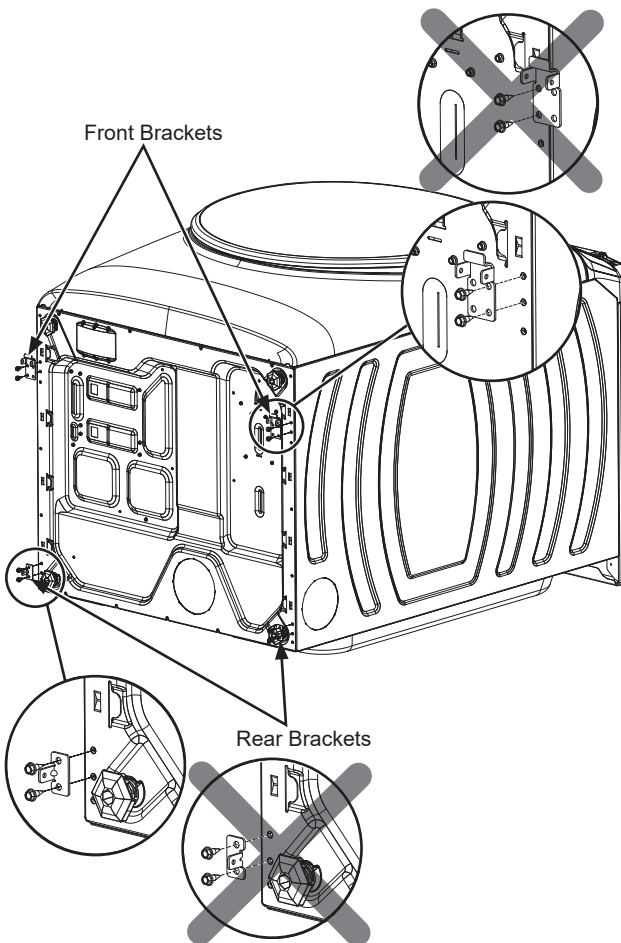
Installation Instructions

PREPARE THE UNIT

3 INSTALL WASHER/DRYER BRACKETS

Front Brackets

- Lay the unit on its back on a protective surface.
- Ensure leveling legs are threaded in to minimum height position.
- Install front brackets on the bottom of the washer or dryer as shown. Use the 2 holes closest to the front and the 2 outermost holes on the bracket. The bracket should not go beyond the edge of the appliance.



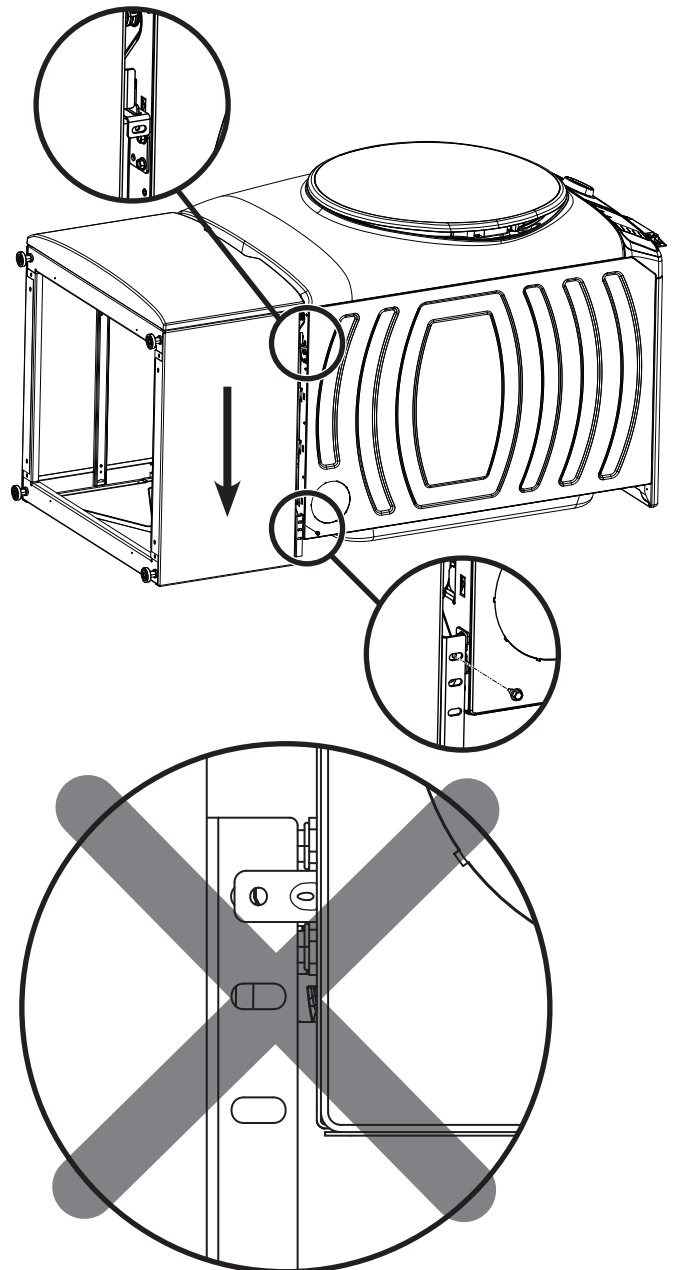
Rear Brackets

- Install rear brackets on the bottom of the washer or dryer as shown above. Use the top 2 holes on the bottom of the appliance with the tab on the bracket facing the outside.

ATTACH PEDESTAL/RISER TO UNIT

4 JOIN REAR BRACKETS

- Lift pedestal/riser and hook front brackets of pedestal/riser to front brackets of washer or dryer.
- Align front and rear brackets on washer or dryer with front and rear brackets on pedestal/riser and loosely fasten with screws. Make sure the bracket from the appliance is to the INSIDE of the pedestal/riser bracket and not the outside.

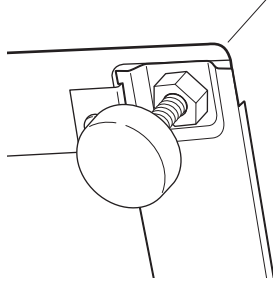


Installation Instructions

ATTACH PEDESTAL/RISER TO UNIT (cont.)

5 LEVEL THE WASHER OR DRYER

- Locate the 4 legs from the parts package and install to minimum height.
- Stand the washer or dryer upright.
- Securely tighten all screws in all brackets.
- Make sure that the washer or dryer is level by placing a spirit level on top. Check side to side and front to back.
- Use a 9/16" open ended wrench to adjust the legs in and out. Tighten the lock nut against the bottom of the pedestal/riser.



NOTE: To minimize vibration, the locking nuts must be tight.

6 ADJUST WASHER/DRYER LEGS

- Snug the feet of the washer and dryer to the top of the pedestal/riser to minimize vibration.

7 WASHING MACHINE ONLY: REMOVE SHIPPING SCREWS

Remove the 4 shipping bolts on the back side of the unit.

8 FINALIZE THE INSTALLATION

Refer to the washer or dryer installation instructions to complete the installation.

GE Appliances Pedestal/Riser Limited Warranty

LIMITED WARRANTY

GEAppliances.com

All warranty service is provided by our Factory Service Centers, or an authorized Customer Care® technician. To schedule service online, visit us at **GEAppliances.com/service**, or call GE Appliances at 800.GE.CARES (800.432.2737). Please have your serial number and your model number available when calling for service.

For the period of:	We will replace:
One year From the date of the original purchase	Any part of the Pedestal/Riser which fails due to a defect in materials or workmanship. During this limited one-year warranty , we will also provide, free of charge , all labor and related service to replace the defective part.

What is not covered:

- Service trips to your home to teach you how to use the product.
- Improper installation, delivery or maintenance.
- Failure of the product if it is abused, misused, or used for other than the intended purpose or used commercially.
- Products which are not defective or broken, or which are working as described in the Owner's Manual.
- Damage to the product caused by accident, fire, floods or acts of God.
- Incidental or consequential damage caused by possible defects with this appliance.
- Defects or damage due to operation in freezing temperatures.
- Damage caused after delivery.
- Product not accessible to provide required service.

EXCLUSION OF IMPLIED WARRANTIES

Your sole and exclusive remedy is product repair as provided in this Limited Warranty. Any implied warranties, including the implied warranties of merchantability or fitness for a particular purpose, are limited to one year or the shortest period allowed by law.

In the United States:

This limited warranty is extended to the original purchaser and any succeeding owner for products purchased for home use within the USA. If the product is located in an area where service by a GE Appliances Authorized Servicer is not available, you may be responsible for a trip charge or you may be required to bring the product to an Authorized GE Appliances Service location for service. In Alaska, the limited warranty excludes the cost of shipping or service calls to your home. Some states do not allow the exclusion or limitation of incidental or consequential damages. This limited warranty gives you specific legal rights, and you may also have other rights which vary from state to state. To know what your legal rights are, consult your local or state consumer affairs office or your state's Attorney General.

Warrantor: GE Appliances, a Haier Company, Louisville, KY 40225

In Canada:

This limited warranty is extended to the original purchaser and any succeeding owner for products purchased in Canada for home use within Canada. If the product is located in an area where service by a GE Appliances Authorized Servicer is not available, you may be responsible for a trip charge or you may be required to bring the product to an Authorized GE Appliances Service location.

Some provinces do not allow the exclusion or limitation of incidental or consequential damages. This limited warranty gives you specific legal rights, and you may also have other rights which vary from province to province. To know what your legal rights are, consult your local or provincial consumer affairs office.

Warrantor: MC Commercial Inc., Burlington, ON, L7R 5B6

Staple your receipt here. Proof of the original purchase date is needed to obtain service under the warranty.