

# Bottom Mount REFRIGERATOR

**SAFETY INFORMATION** ..... 2

**USING THE REFRIGERATOR** .... 7

Energy saving tips ..... 8

Replacing the lamp ..... 8

Start operation ..... 9

Components ..... 9

Functions ..... 10

**INSTALLATION INSTRUCTIONS** ... 12

Reverse door hinges ..... 12

Leveling feet ..... 13

**MAINTENANCE** ..... 14

Defrosting ..... 14

**TROUBLESHOOTING TIPS** ..... 15

**CONSUMER SUPPORT**

Warranty ..... 21

Consumer support ..... 22

## OWNER'S MANUAL

MBE11DSVSS

**ENGLISH/FRANÇAIS/  
ESPAÑOL**

Write the model and serial numbers here:

Model # \_\_\_\_\_

Serial # \_\_\_\_\_

# IMPORTANT SAFETY INFORMATION.

## READ ALL INSTRUCTIONS BEFORE USING THE APPLIANCE



### WARNING: RISK OF FIRE/FLAMMABLE MATERIALS

#### **⚠ WARNING**

- BEFORE USING THIS PRODUCT, PLEASE READ THIS MANUAL CAREFULLY AND KEEP IT FOR FUTURE REFERENCE.
- THE DESIGN AND SPECIFICATIONS ARE SUBJECT TO CHANGE WITHOUT PRIOR NOTICE. CONSULT WITH YOUR DEALER OR MANUFACTURER FOR DETAILS.
- YOUR SAFETY AND THE SAFETY OF OTHERS IS VERY IMPORTANT.
- To prevent injury to the user or other persons and property damage, these instructions must be followed. Incorrect operation due to ignoring instructions may cause harm or damage, including death.
- This appliance is intended to be used in household and similar applications such as staff kitchen areas in shops, offices and other working environments; farm houses and by clients in hotels, motels and other residential type environments; bed and breakfast type environments; catering and similar non-retail applications.
- This appliance is not intended for use by persons (including children) with reduced physical, sensory or mental capabilities, or lack of experience and knowledge, unless they have been given supervision or instruction concerning use of the appliance by a person responsible for their safety.
- Children should be supervised to ensure that they do not play with the appliance.
- If the supply cord is damaged, it must be replaced by the manufacturer, its service agent or similarly qualified persons in order to avoid a hazard.
- Do not store explosive substances such as aerosol cans with a flammable propellant in this appliance.
- The appliance has to be unplugged after use and before carrying out user maintenance.
- Keep ventilation openings in the appliance enclosure or in the built-in structure clear of obstructions.
- Do not use mechanical devices or other means to accelerate the defrosting process, other than those recommended by the manufacturer.
- Do not damage the refrigerant circuit.
- Do not use electrical appliances inside the food storage compartments of the appliance, unless they are of the type recommended by the manufacturer.
- Please dispose of the refrigerator according to local regulations since it uses flammable blowing gas and refrigerant.
- When positioning the appliance, ensure the supply cord is not trapped or damaged.
- Do not place multiple portable socket-outlets or portable power supplies at the rear of the appliance.
- Do not use extension cords or ungrounded (two prong) adapters.
- To avoid a hazard due to instability of the appliance, it must be fixed in accordance with the instructions.
- To prevent children from being entrapped, the keys must be kept out of reach of children and not in the vicinity of chest freezer (or refrigerator) (suitable for products with locks).

**THIS MANUAL CONTAINS IMPORTANT SAFETY INFORMATION WHICH SHOULD BE OBSERVED BY THE USERS.**

### Risk of child entrapment.

Before you dispose of your old refrigerator or chest freezer:

- Take off the doors.
- Leave the shelves in place so that children may not easily climb inside.

# IMPORTANT SAFETY INFORMATION.

## READ ALL INSTRUCTIONS BEFORE USING THE APPLIANCE

### **⚠ WARNING**

- The refrigerator must be disconnected from mains power before attempting the installation of accessories.
  - Refrigerant and cyclopentane foaming material used for the appliance are flammable. Therefore, when the appliance is scrapped, it shall be kept away from any fire source and be recovered by a special recovering company with corresponding qualification other than be disposed by combustion, so as to prevent damage to the environment or any other harm.
  - For doors or lids fitted with locks, the keys must be kept out of reach of children and not in the vicinity of the refrigerating appliance, in order to prevent children from being locked inside.
  - **For EU standard:**  
This appliance can be used by children aged from 8 years and above and persons with reduced physical, sensory or mental capabilities or lack of experience and knowledge if they have been given supervision or instruction concerning the use of the appliance in a safe way and understand the hazards involved. Children shall not play with the appliance. Cleaning and user maintenance shall not be made by children without supervision. Children aged from 3 to 8 years are allowed to load and unload refrigerating appliances.
  - To avoid contamination of food, please observe the following instructions:
    - Opening the door for long periods of time can cause a significant increase of the temperature in the compartments of the appliance.
    - Clean regularly surfaces that can come in contact with food and accessible drainage systems.
    - Clean water tanks if they have not been used for 48h; flush the water system connected to a water supply if water has not been drawn for 5 days. (Note 1).
    - Store raw meat and fish in suitable containers in the refrigerator, so that it is not in contact with or drip onto other food.
    - Two-star **(\*\*)** frozen-food compartments are suitable for storing pre-frozen food, storing or making ice-cream and making ice cubes. (Note 2).
    - One-star **(\*)**, two-star **(\*\*)** and three-star **(\*\*\*)** rated compartments are not suitable for freezing fresh food. (Note 3).
    - For appliances without a 4-star compartment **(\*\*\*\*)** : this refrigerating appliance is not suitable for freezing foodstuffs. (Note 4).
    - If the refrigerating appliance is left empty for long periods of time, switch off, defrost, clean, dry, and leave the door open to prevent mould developing within the appliance.
- Notes 1, 2, 3, 4:** Please confirm whether it is applicable according to your product.
- For freestanding appliances: this refrigerating appliance is not intended to be used as a built-in appliance.
  - Any replacement or maintenance of the LED lamps is intended to be made by the manufacturer, its service agent or similar qualified persons.
  - This product contains two light sources of energy efficiency class (G).

### State of California Proposition 65 Warnings:

### **⚠ WARNING**

**Cancer and Reproductive Harm**

-[www.P65Warnings.ca.gov](http://www.P65Warnings.ca.gov).

# IMPORTANT SAFETY INFORMATION.

## READ ALL INSTRUCTIONS BEFORE USING THE APPLIANCE

### Proper disposal of the appliance

**⚠ WARNING** Suffocation Hazard

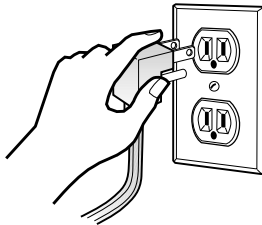
Before you dispose of your old chest freezer or refrigerator:

- Remove the door or lid so that children cannot hide or get trapped inside your old appliance.
- Leave any shelves in place so that children may not easily climb inside.
- Failure to follow these instructions can result in death or brain damage.

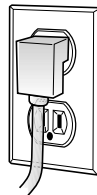
**IMPORTANT:** Flammable gas and refrigerant used. It is the consumer's responsibility to comply with Federal and Local regulations when disposing of this product. Refrigerants must be evacuated by a licensed, EPA-certified refrigerant technician in accordance with established procedures.

### Energy-related warnings

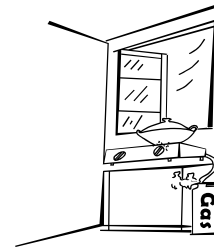
- Do not pull the power cord when pulling the power plug of the refrigerator. Please firmly grasp the plug and pull out from the socket.
- To ensure safe use, do not damage the power cord or use the power cord when it is damaged or worn.
- Use a dedicated power socket; the power socket shall not be shared with other electrical appliances.



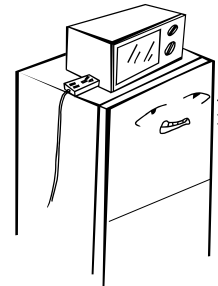
- The power cord should be firmly contacted with the socket, otherwise fire may be caused.



- Make sure that the grounding electrode of the power socket is equipped with a reliable grounding line.
- Turn off the valve of leaking gas and open the doors and windows in case of leakage of gas and other flammable substances. Do not unplug the refrigerator and other electrical appliances considering that spark may cause a fire.



- Do not use electrical appliances on top of the appliance, unless they are of the type recommended by the manufacturer.

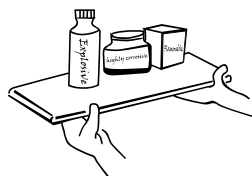


# IMPORTANT SAFETY INFORMATION.

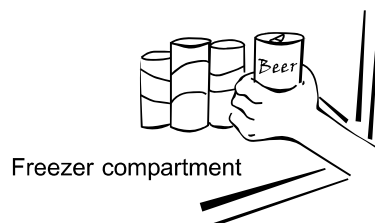
## READ ALL INSTRUCTIONS BEFORE USING THE APPLIANCE

### Warnings related with placing items

- Do not place flammable, explosive, volatile and highly corrosive items in the refrigerator to prevent damages to the product or fire accidents.



- Do not store beer, beverages or other fluids contained in bottles or enclosed containers in the freezing chamber of the refrigerator, otherwise the bottles or enclosed containers may crack due to freezing and cause damages.



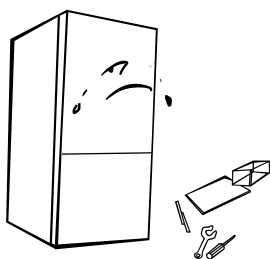
- Do not place flammable items near the refrigerator to avoid fire.
- This product is a household refrigerator and is only suitable for the storage of food.

According to national standards, a household refrigerator shall not be used for other purposes, such as storage of blood, drugs or biological products.



### Warnings for use

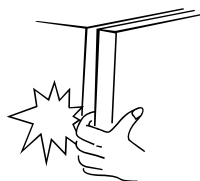
- Do not arbitrarily disassemble or reconstruct the refrigerator, nor damage the refrigerant circuit; maintenance of the appliance must be conducted by a specialist.



- Do not allow children to enter or climb inside the refrigerator to prevent that children are sealed in the refrigerator or injured by the falling refrigerator.



- A damaged power cord must be replaced by the manufacturer, its maintenance department or related professionals in order to avoid danger.
- The gaps between refrigerator door and body are small. Do not place your hands in these areas to prevent squeezing your fingers. Please be gentle when opening the refrigerator door to avoid articles falling out.



- Do not spray or wash the refrigerator; do not place the refrigerator in moist places easy to be splashed with water so as not to affect the electrical insulation properties of the refrigerator.
- Do not place heavy objects on top of the refrigerator considering that objects may fall when opening the door, and accidental injuries might be caused.



- Do not pick up food or containers with wet hands in the freezing chamber when the refrigerator is running, especially metal containers in order to avoid frostbite.

- Pull out the plug in case of power failure or cleaning. Do not connect the refrigerator to power supply within five minutes to prevent damages to the compressor due to successive starts.

# IMPORTANT SAFETY INFORMATION.

## READ ALL INSTRUCTIONS BEFORE USING THE APPLIANCE

### Energy related warnings

- Refrigerating appliances might not operate consistently (possibility of defrosting of contents or temperature becoming too warm in the frozen food compartment) when set for an extended period of time below the cold end of the temperature range for which the refrigerating appliance is designed.
- Sparkling beverages shall not be stored in a freezing chamber or a lower temperature compartment. Certain drinks (such as ice water) shall not be too cold for drinking.
- Do not exceed the storage time(s) recommended by the food manufacturers for any kind of food and particularly for commercially quick frozen food in food freezer and frozen food storage compartments or cabinets.
- Prevent an undue rise in temperature of frozen food while defrosting the refrigerating appliance, such as wrapping the frozen food in several layers of newspaper.
- A rise in temperature of frozen food during manual defrosting, maintenance or cleaning can shorten the storage life.

### Disposal

**⚠ WARNING** Refrigerant and cyclopentane foaming material used for the refrigerator are flammable. Therefore, when the refrigerator is scrapped, it shall be kept away from any fire source and be recovered by a special recovering company with corresponding qualification other than be disposed by combustion, so as to prevent damage to the environment or any other harm.

When the refrigerator is scrapped, disassemble the doors, and remove gaskets of door and shelves; place the doors and shelves in a proper place, so as to prevent trapping children.

#### Correct disposal of this product:



This marking indicates that this product should not be disposed with other household waste. To prevent possible harm to the environment or human health from uncontrolled waste disposal, recycle it responsibly to promote the sustainable reuse of material resources. To return your used device, please use the return and collection systems or contact the retailer where the product was purchased. They take this product in for environmental safe recycling.

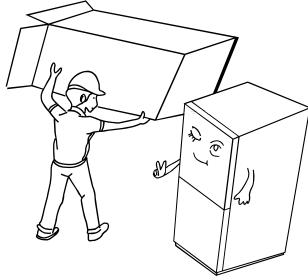
## SAVE THESE INSTRUCTIONS

THIS APPLIANCE IS FOR HOUSEHOLD USE ONLY

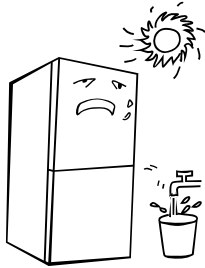
# USING THE REFRIGERATOR

## Placement

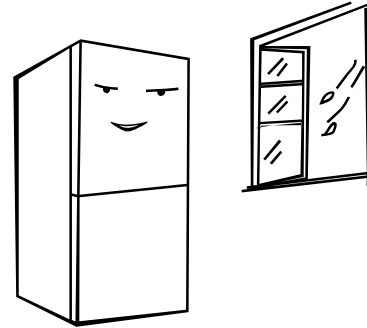
- Before use, remove all packing materials, including bottom pads, foam pads and tapes inside of the refrigerator; tear off the protective film on the doors and the refrigerator body.



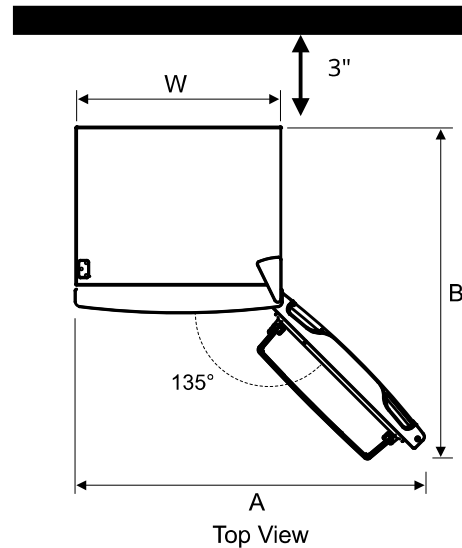
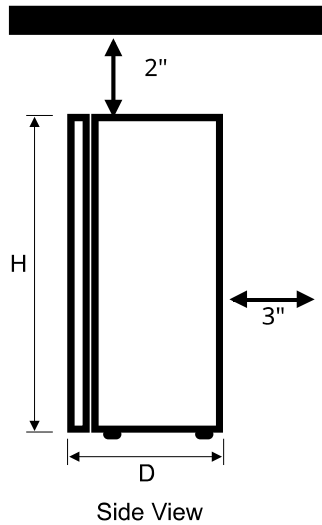
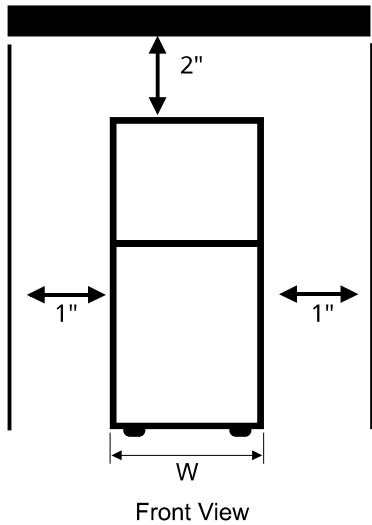
- Keep away from heat and avoid direct sunlight. Do not place the refrigerator in moist or wet places to prevent rust or reduction of the insulating effect.



- Do not spray or wash the refrigerator; do not place the refrigerator in moist places easy to be splashed with water so as not to affect the electrical insulation properties of the refrigerator.
- The refrigerator should be placed in a well-ventilated indoor place. The floor must be flat and sturdy (rotate left or right to adjust the wheel for levelling if unstable.)



- The space on top of the refrigerator shall be greater than 2" , and the refrigerator should be placed against a wall with a distance of more than 1" to facilitate heat dissipation.
- Spare enough space for convenient opening of doors and drawers according to the statement of the distributor.



Width "W"	595 mm
Depth "D" without handle	630 mm
Height "H"	1880 mm
A	1015 mm
B	1185 mm

**Note:** This refrigerator needs to be installed independently and cannot be built-in. Otherwise, it will cause problems such as failure to install, performance and life of the product are reduced. Also, the manufacturer does not provide basic product warranty.

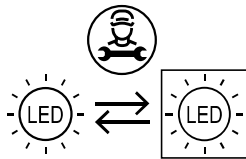
**Note:** The measurements in the above table may differ, depending on the measuring method.

## Energy saving tips

- The appliance should be located in the coolest area of the room, away from heat producing appliances or heating ducts, and out of direct sunlight.
- Let hot foods cool down to room temperature before placing it in the appliance. Overloading the appliance forces the compressor to run longer. Food that freezes too slowly may lose quality, or spoil.
- Be sure to wrap food properly, and wipe containers dry before placing them in the appliance. This cuts down on frost build-up inside the appliance.
- Appliance storage bins should not be lined with tin foil, wax paper, or paper toweling. Liners interfere with cold air circulation, making the appliance less efficient.
- Organize and label food to reduce door openings and extended searches. Remove as many items as needed at one time, and close the door as soon as possible.

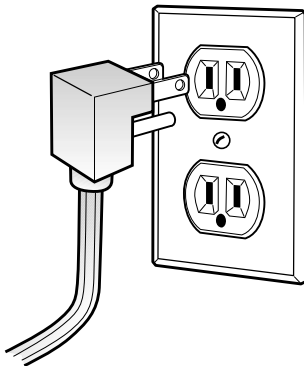
## Replacing the lamp

Any replacement or maintenance of the LED lamps is intended to be made by the manufacturer, its service agent or similar qualified persons.

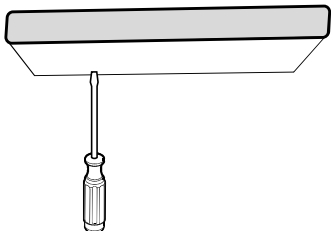


The light source in this product is only to be replaced by qualified engineers.

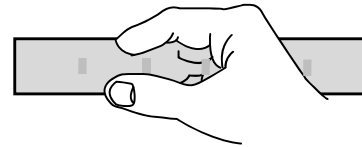
1. Remove the plug.



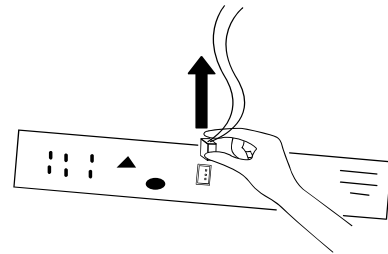
2. Remove the light cover with a screwdriver.



3. Take down the lamp panel.



4. Remove the connection terminal.

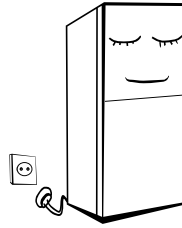




# USING THE REFRIGERATOR

## Start operation

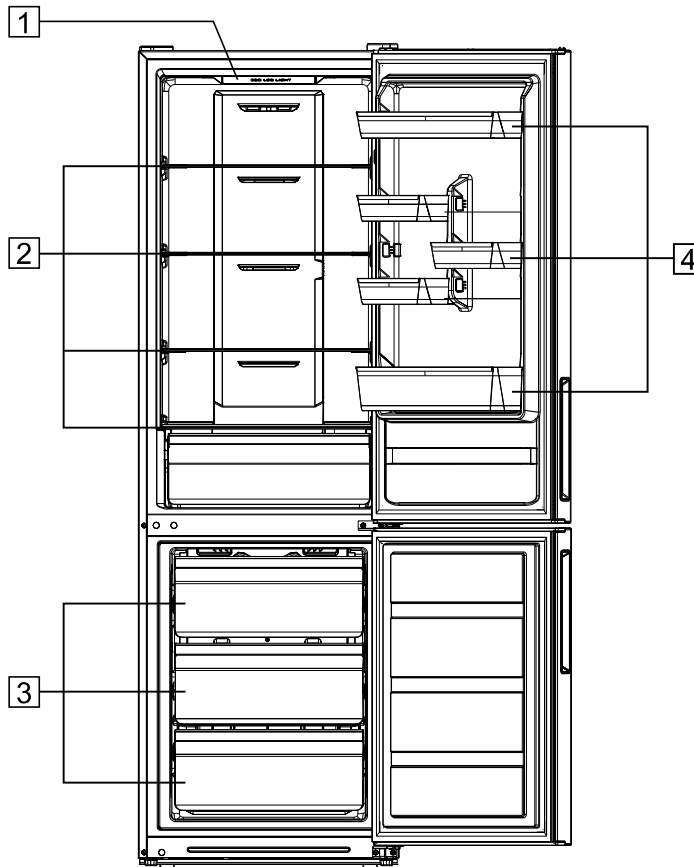
- Before initial start, keep the refrigerator still for two hours before connecting it to power supply.
- Before placing any fresh or frozen foods, the refrigerator should have run for 2 - 3 hours, or for above 4 hours in summer when the ambient temperature is high.



**Note:** This product is not recommended for use with sockets or main switch with A/GFCI function, otherwise it may cause tripping.

1. It does not pose a safety risk when tripped.
2. If tripping persists, it is recommended to replace the socket or main switch without A/GFCI function.

## Components



- |                |             |
|----------------|-------------|
| 1 LED lighting | 3 Drawer    |
| 2 Shelf        | 4 Door tray |

The picture above is only for reference. The actual configuration will depend on the physical product or statement by the distributor.

## Refrigerator compartment

- The refrigerating chamber is suitable to store a variety of fruits, vegetables, beverages and other food consumed in the short term; suggested storage time 3 to 5 days.
- Cooked food should not be placed in the refrigerating chamber until cooled down to room temperature.
- Food is recommended to be sealed up before placing it into the refrigerator.
- The glass shelves can be adjusted up or down for proper storage space and easy use.

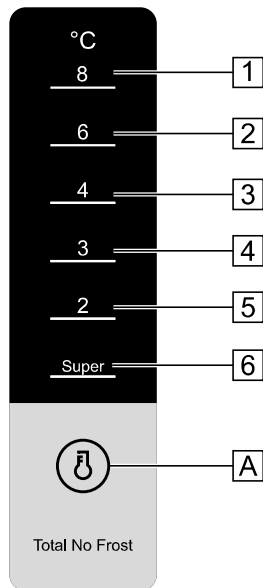
**IMPORTANT:** Drawers, food boxes, shelves, etc. placed according to the position in the picture above are the most energy efficient.

**Note:** Storage of too much food during operation after the initial connection to power may adversely affect the freezing effect of the refrigerator. Food stored should not block the air outlet; or otherwise the freezing effect will also be adversely affected.

## Freezer compartment

- The low temperature freezing chamber may keep food fresh for a long time and it is mainly used to store frozen food and making ice.
- The freezing chamber is suitable to store meat, fish, rice balls and other food not to be consumed short-term.
- Chunks of meat are preferably to be divided into small pieces for quick freezing and easy access. Please note that food should be consumed within the shelf life.
- Freezing capacity value is marked on the rating label.

## Functions



### Buttons

A. Temperature setting button

### Display

1. Temperature setting 1.
2. Temperature setting 2.
3. Temperature setting 3.
4. Temperature setting 4.
5. Temperature setting 5.
6. Temperature setting 6.

The picture above is only for reference. The actual configuration will depend on the physical product or statement by the distributor.

## Display

- When switching on the refrigerator, the display (including the button lights) light up in full for 3 seconds, then the refrigerator runs according to temperature setting 3.
- Normal display.
- In case of a failure, the corresponding LED will display an error code.
- If there is no failure, the LED displays the temperature setting.

# USING THE REFRIGERATOR

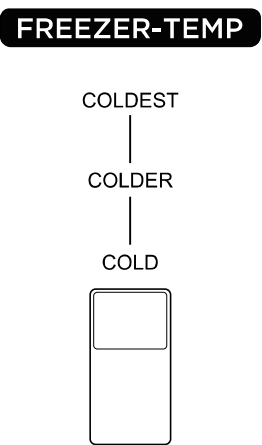
## Temperature setting

The temperature setting changes every time when you press the SET button. Then, the refrigerator will run under the new setting value after 15 seconds.

### Adjustment of manual temperature setting slider

Move the temperature setting slider up, the current temperature inside the freezing chamber will decrease. Move the temperature setting slider down, the current temperature inside the freezing compartment will increase.

Setting 1 — Setting 2 — Setting 3 — Setting 4 — Setting 5 — Setting 6 — Setting 1 — ...



## Error code

The following warnings appearing on the display indicate corresponding faults of the refrigerator. Though the refrigerator may still have cooling and freezing function with the following faults, contact a maintenance specialist to ensure normal use of the refrigerator.

Error code	Fault description
LEDs 1 and 2 light up	Refrigerator temperature sensor circuit.
LEDs 1 and 3 light up	Freezer defrost sensor.
LEDs 1 and 4 light up	Ambient temperature sensor.

**Note:** The quick freezing function is designed to maintain the nutritional value of the food in the freezer. It can freeze the food in the shortest time. If a large amount of food is frozen at one time, it is recommended that you turn on the quick freezing function. At this time, the freezing speed is increased, which can quickly freeze the food, effectively lock the nutrition of the food, and facilitate storage.

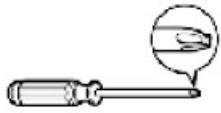
# Installation instructions

## Reverse doors hinges

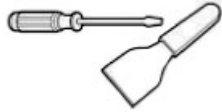
### Precautions before installation:

Before making changes, the refrigerator must be disconnected from power. Before adjusting the door, precautions should be taken to prevent any personal injury.

### List of tools to be provided by the user



Phillips screwdriver.



Putty knife, thin-blade screwdriver.



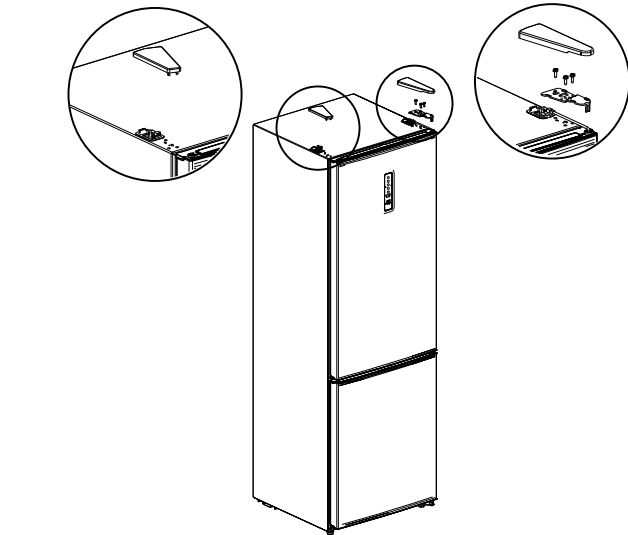
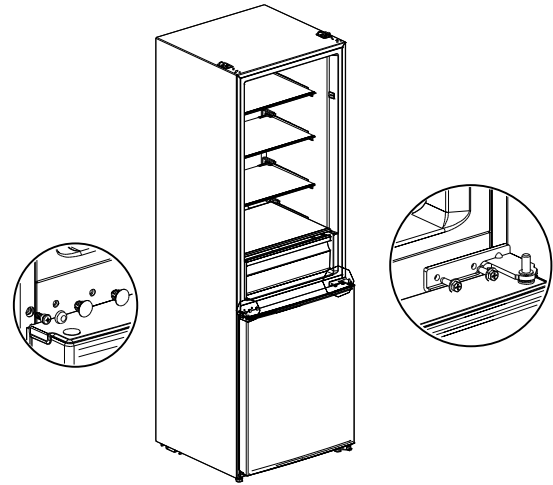
5/16" socket and ratchet.



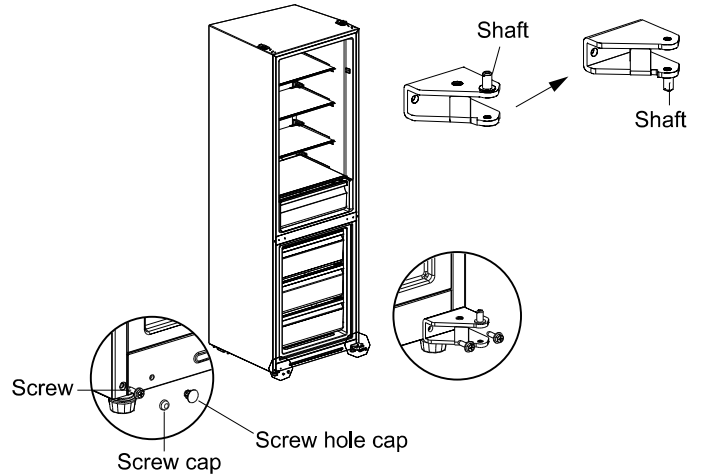
Masking tape.

1. Power off the refrigerator, and remove all objects from the door trays.
2. Remove the upper hinge cover, disconnect the signal wires, upper hinge and hole cap of the other side, and remove the refrigerating door.

3. Dismantle the middle hinge, the screws, the screws hole caps and remove the freezer door.

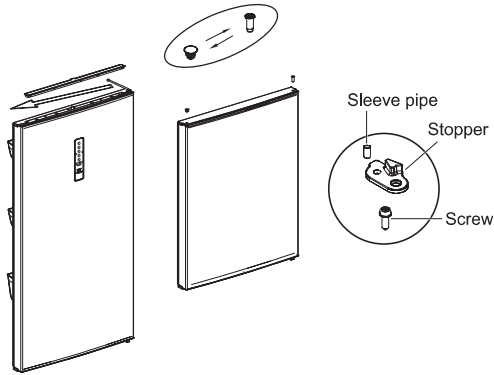


4. Remove the bottom hinge, hole caps and screws, install the bottom hinge shaft on the other side of the bottom hinge, then install the hinge on the other side.

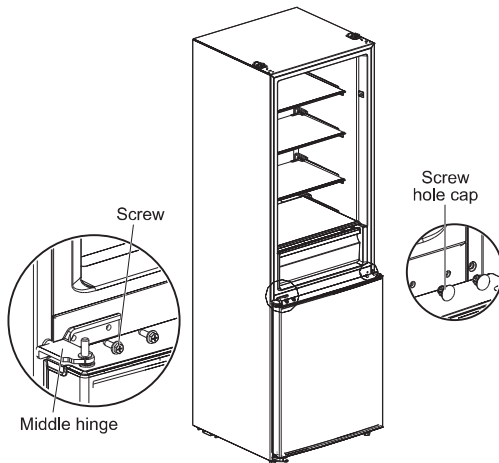


# Installation instructions

5. Remove the screws, sleeve pipe and stopper on the lower end cover of the two doors, and install them on the other side of the doors (the stopper needs to be replaced from the accessories bag). Then remove the upper end cover of the cooler door and switch the wire harness with a sleeve pipe to the other side of the door. Finally install the sleeve pipe of the upper hinge on the cooler door in the hole on the other side of the upper end cover of the cooler door.

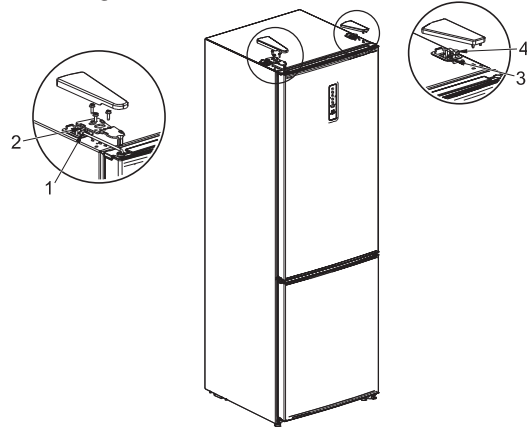


6. Place the freezer door on the bottom hinge, install the middle hinge, the screws and the screw hole caps.

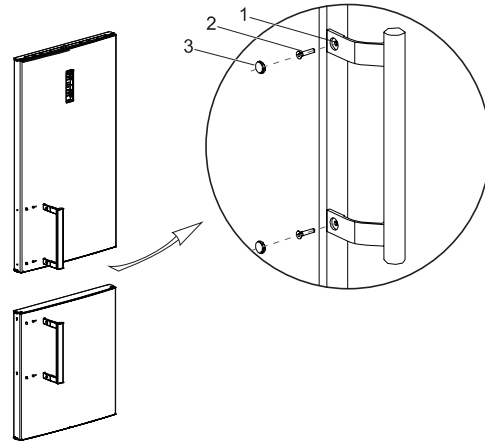


**IMPORTANT:** The picture above is only for reference. The actual configuration will depend on the physical product or statement by the distributor.

7. Place the refrigerator compartment door on the middle hinge, then install the upper hinge on the other side of the cabinet. Finally connect terminals 1, 2 of the signal wires at the side of the upper hinge and terminals 3, 4 on the other side and cover the hinge cover and hole cover.

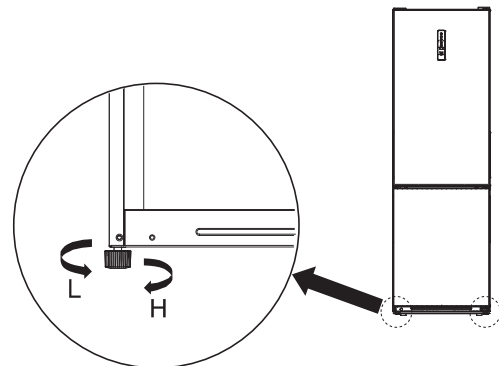


8. Door handle installation, precautions shall be taken to prevent fall of the handle from causing any personal injury. Use cross screwdriver to fix screws 2 into the screw hole 1 tightly; Assemble the screw hole caps 3 on the screw hole of handle.



## Leveling feet

1. Precautions before operation:
  - Before making changes, the refrigerator must be disconnected from power.
  - Before adjusting the leveling feet, precautions should be taken to prevent any personal injury.
2. Schematic diagram of leveling feet.
3. Adjusting procedures:
  - a. Turn the feet clockwise to raise the refrigerator.
  - b. Turn the feet counter-clockwise to lower the refrigerator.
  - c. Adjust the right and left feet based on the procedures above to a horizontal level.



**IMPORTANT:** The picture above is only for reference. The actual configuration will depend on the physical product or statement by the distributor.

# Maintenance of refrigerator

## Overall cleaning

**⚠ WARNING UNPLUG THE REFRIGERATOR FOR DEFROSTING AND CLEANING.**

- Dust behind the refrigerator and on the floor must be cleaned to improve the cooling effect and energy saving.
- Check the door gasket regularly to make sure there is no debris. Clean the door gasket with a soft cloth dampened with soapy water or diluted detergent.
- The interior of the refrigerator should be cleaned regularly to avoid odors.
- Please turn off the power before cleaning the interior, remove all food, drink, shelves, drawers, etc.
- Use a soft cloth or sponge to clean the inside of the refrigerator with two tablespoons of baking soda and a quart of warm water. Then rinse with water and wipe clean. After cleaning, open the door and let it dry naturally before turning on the power.
- For areas that are difficult to clean inside the refrigerator (such as narrow places, gaps or corners), we recommend to wipe them regularly with a soft rag, soft brush, etc. and when necessary, with some tools (such as thin sticks) to ensure no contaminants or bacterial accumulation in these areas.

- Do not use soap, detergent, scrub powder, spray cleaner, etc., as these may cause odors inside the refrigerator or contaminate food.
- Clean the door tray, shelves and drawers with a soft cloth dampened with soapy water or diluted detergent. Dry with a soft cloth or dry naturally.
- Wipe the outer surface of the refrigerator with a soft cloth dampened with soapy water, detergent, etc., and then wipe dry.
- Do not use hard brushes, scouring pads, wire brushes, abrasives (such as toothpaste), organic solvents (such as alcohol, acetone, banana oil, etc.), boiling water, acid or alkaline items, which may damage the fridge surface and interior. Boiling water and organic solvents such as benzene may deform or damage plastic parts.



- Do not rinse directly with water or other liquids during cleaning to avoid short circuit or affect electrical insulation after immersion.

## Defrost

The refrigerator is made based on the air-cooling principle and thus has automatic defrosting function. Frost formed due to change of season or temperature may also be manually removed by disconnection of the appliance from power supply or by wiping with a dry towel.

## Out of operation

- **Power failure:** In case of power failure, even if it is in summer, food inside the appliance can be kept for several hours; during the power failure, the times of opening the doors must be reduced, and no more fresh food should be placed into the appliance.
- **Long-term of non-use:** Unplug and clean the appliance and leave the doors open to prevent odors.
- **Moving:** Before the refrigerator is moved, take all objects out, fix the glass partitions, vegetable holder, freezing chamber drawers etc. with tape, and tighten the leveling feet; close the doors and fix them with tape. During the move, the appliance must not be laid upside down or horizontally, or be exposed to strong vibration; the inclination during the move should be no more than 45°.

**IMPORTANT:** The appliance shall run continuously once it is started. Generally, the operation of the appliance should not be interrupted; otherwise its service life may be impaired.

# Troubleshooting tips... Before calling for service.

The following simple issues can be handled by the user. Please call the after-sale service department if the issues are not solved.

Malfunction	<ul style="list-style-type: none"> <li>■ Check whether the appliance is connected to power or whether the plug is inserted properly.</li> <li>■ Check whether the voltage is too low.</li> <li>■ Check whether there is a power failure or circuits have tripped.</li> </ul>
Odor	<ul style="list-style-type: none"> <li>■ Odorous food should be tightly wrapped.</li> <li>■ Check whether there is any rotten food.</li> <li>■ Clean the inside of the refrigerator.</li> </ul>
Long operation of the compressor	<ul style="list-style-type: none"> <li>■ Long operation of the refrigerator is normal during summer when the ambient temperature is high.</li> <li>■ We do not suggest placing too much food in the appliance at the same time.</li> <li>■ Food must cool down before being placed in the appliance.</li> <li>■ Doors are opened too frequently.</li> </ul>
Light fails to turn on.	<ul style="list-style-type: none"> <li>■ Check whether the refrigerator is connected to power supply and whether the illuminating light is damaged.</li> <li>■ Have the light replaced by a specialist.</li> </ul>
Door cannot be properly closed.	<ul style="list-style-type: none"> <li>■ The door is stuck by a food package.</li> <li>■ The refrigerator is tilted.</li> </ul>
Loud noise.	<ul style="list-style-type: none"> <li>■ Check whether the floor is level and whether the refrigerator is placed in a stable position.</li> <li>■ Check whether accessories are placed at proper locations.</li> </ul>
Door seal is not tight.	<ul style="list-style-type: none"> <li>■ Remove foreign matters on the door seal.</li> <li>■ Heat the door seal to reshape it. You can or blow it with an electrical dryer or use a hot towel for heating.</li> </ul>
Water pan overflows.	<ul style="list-style-type: none"> <li>■ There is too much food in the compartment or stored food contains too much water, resulting in heavy defrosting.</li> <li>■ The doors are not closed properly, resulting in frost due to entry of air and increased water due to defrosting.</li> </ul>
Hot housing.	<ul style="list-style-type: none"> <li>■ Heat dissipation of the built-in condenser via the housing, which is normal. When the housing becomes hot due to high ambient temperature, storage of too much food or shutdown of the compressor, provide good ventilation to facilitate heat dissipation.</li> </ul>
Exterior surface condensation.	<ul style="list-style-type: none"> <li>■ Condensation on the exterior surface and door seals of the refrigerator is normal when the ambient humidity is too high. Wipe condensation with a clean towel.</li> </ul>
Abnormal noise.	<ul style="list-style-type: none"> <li>■ Buzz: The compressor may buzz during operation. Buzzing is loud particularly upon start or stop. This is normal.</li> <li>■ Creak: Refrigerant flowing inside the appliance may produce creak, which is normal.</li> </ul>

## Installation instructions

### On refrigerating appliances with climate class

Depending on the climate class, this refrigerating appliance is intended to be used at ambient temperature ranges as specified in the following table.

The climate class can be found on the rating plate. The product may not operate properly at temperatures outside of the specified range.

You can find the climate class on the label inside your refrigerator.

### Effective temperature range

The refrigerator is designed to operate normally in the temperature range specified by its class rating.

Class	Symbol	Ambient temperature range °C	
		IEC 62552 (ISO 15502)	ISO 8561
Extended temperate	SN	+10 to +32	+10 to +32
Temperate	N	+16 to +32	+16 to +32
Subtropical	ST	+16 to +38	+18 to +38
Tropical	T	+16 to +43	+18 to +43

**Note:** The cooling performance and power consumption of the refrigerator may be affected by the ambient temperature, the door-opening frequency, and the location of the refrigerator.

We recommend adjusting the temperature settings as appropriate.

## How to store for best preservation

Cover food to retain moisture and prevent them from picking up odors from other food. A large pot of food like soup or stew should be divided into small portions and put into shallow containers before being refrigerated.

A large cut of meat or whole poultry should be divided into smaller pieces or placed in shallow containers before being refrigerated.

### Placement of food

Shelves.	Shelves are adjustable to accommodate a variety of packages.
Specialized compartment (on some models only).	Sealed crisper drawers provide an optimal storage environment for fruit and vegetables. Vegetables require higher humidity while fruit requires lower humidity. Crispers are equipped with control devices to control the humidity level (*depending on model and options). An adjustable temperature meat drawer maximizes the storage time of meat and cheese.
Storage in the door.	Do not store perishable food in the door. Eggs should be stored in the carton on a shelf. The temperature of the storage bins in the door fluctuates more than the temperature inside the cabinet. Keep the door closed as much as possible.
Freezer compartment.	You can store frozen food, make ice cubes and freeze fresh food in the freezer compartment.

**Note:** Freeze fresh, undamaged food only. Keep food which is to be frozen away from food which is already frozen. To prevent food from losing its flavor or drying out, place in airtight containers.



## Refrigerator & freezer storage chart

The shelf life of food depends on temperature and exposure to moisture. Since product dates are not a guide for the safe use of a product, consult this chart and follow these tips.

Product	Refrigerator	Freezer
<b>Milk products</b>		
Milk	1 week	1 month
Butter	2 weeks	12 months
Ice cream	-	2 - 3 weeks
Natural cheese	1 month	4 - 6 months
Cream cheese	2 weeks	Not recommended
Yogurt	1 month	-
<b>Meat</b>		
Fresh roasts, steaks, chops	3 - 4 days	2 - 3 months
Fresh ground meat, stew meat	1 - 2 days	3 - 4 months
Bacon	7 days	1 month
Sausage, raw from pork, beef, turkey	1 - 2 days	1 - 2 months
<b>Poultry/eggs</b>		
Fresh poultry	2 days	6 - 8 months
Poultry salad	1 day	-
Eggs, fresh in shell	2 - 4 weeks	Not recommended
<b>Fish/seafood</b>		
Fresh fish	1 - 2 days	3 - 6 months
Cooked fish	3 - 4 days	1 month
Fish salad	1 day	Not recommended
Dried or pickled fish	3 - 4 weeks	-
<b>Fruit</b>		
Apples	1 month	-
Peaches	2 - 3 weeks	-
Pineapple	1 week	-
Other fresh food	3 - 5 days	9 - 12 months
<b>Vegetables</b>		
Asparagus	2 - 3 days	-
Broccoli, Brussels sprouts, green peas, mushrooms	3 - 5 days	-
Cabbage, cauliflower, celery, cucumber, lettuce	1 week	-
Carrots, beets, radishes	2 weeks	-

# New European Standard

The ordered parts in the following table can be acquired through service provider

Ordered part	Provided by	Minimum time required for provision
Thermostat.	Professional maintenance personnel.	At least 7 years after the model was launched.
Temperature sensor.	Professional maintenance personnel.	At least 7 years after the model was launched.
Printed circuit board.	Professional maintenance personnel.	At least 7 years after the model was launched.
Light source.	Professional maintenance personnel.	At least 7 years after the model was launched.
Door handle.	Professional repairers and final users.	At least 7 years after the model was launched.
Door hinges.	Professional repairers and final users.	At least 7 years after the model was launched.
Trays.	Professional repairers and final users.	At least 7 years after the model was launched.
Baskets.	Professional repairers and final users.	At least 7 years after the model was launched.
Door gaskets.	Professional repairers and final users.	At least 10 years after the model was launched.

Dear customer,

- If you want to return or replace the product, please contact the store where you bought it. Remember to bring proof of purchase.
- If your product breaks down and needs to be repaired, please contact the after-sales service provider.

**The shortest period for providing after-sales spare parts is 15 working days.**

**Note:** The model information in the product database, as well as the model identifier, can be obtained through a weblink scanned by a QR code, if any, on the energy efficiency label of the product.

---

Please place in envelope and mail to:  
Veuillez mettre dans une enveloppe et envoyez à:

**OWNERSHIP REGISTRATION  
P.O. BOX 1780  
MISSISSAUGA, ONTARIO  
L4Y 4G1**

**(FOR CANADIAN CONSUMERS ONLY -  
POUR RÉSIDENTS CANADIENS SEULEMENT)**

---



For Canadian  
Customers



Pour les  
Consommateurs  
Canadiens

CUT ALONG THIS LINE AND RETURN CARD - THANKS  
DÉCOUPEZ ICI ET ENVOYEZ LA FICHE - MERCI

### OWNERSHIP REGISTRATION CERTIFICATE – FICHE D'INSCRIPTION DU PROPRIÉTAIRE

Please register your product to enable us to contact you in the remote event a safety notice is issued for this product and to allow for efficient communication under the terms of your warranty, should the need arise.

Veuillez enregistrer votre produit afin de nous permettre de communiquer avec vous si jamais un avis de sécurité concernant ce produit était émis et de communiquer facilement avec vous en vertu de votre garantie, si le besoin s'en fait sentir.

REGISTER ON-LINE: [www.geappliances.ca](http://www.geappliances.ca)

MAIL TO: **P.O. BOX 1780, MISSISSAUGA**

ENREGISTREMENT SUR INTERNET À : [www.electromenagersge.ca](http://www.electromenagersge.ca)

POSTEZ À : **ONTARIO, L4Y 4G1**

<input type="checkbox"/> MR. / M	<input type="checkbox"/> MRS. / MME.	FIRST NAME / PRÉNOM		LAST NAME / NOM	
<input type="checkbox"/> MISS/MLE.	<input type="checkbox"/> MS.				
STREET NO / N° RUE		STREET NAME / RUE			APT.NO/APP./RR#
CITY / VILLE			PROVINCE	POSTAL CODE/CODE POSTAL	
AREA CODE/IND. RÉG.	TELEPHONE/TÉLÉPHONE		E-MAIL/COURRIEL		
DID YOU PURCHASE A SERVICE CONTRACT FOR THIS APPLIANCE? AVEZ-VOUS ACHETÉ UN CONTRAT DE SERVICE POUR CET APPAREIL?			YES/OUI <input type="checkbox"/>	IF YES/SI OUI : EXPIRATION	
			NO/NON <input type="checkbox"/>	Y/A	M D/J
NAME OF SELLING DEALER / NOM DU MARCHAND				MODEL / MODÈLE	
INSTALLATION DATE / DATE D'INSTALLATION		CORRESPONDENCE <input type="checkbox"/> ENGLISH		SERIAL / SÉRIE	
Y/A	M D/J	CORRESPONDANCE <input type="checkbox"/> FRANÇAIS			

I do not wish to receive any promotional offers regarding this product.  
Je ne désire pas recevoir d'offres promotionnelles concernant ce produit.

# Warranty

All warranty service provided by our Factory Service Centers, or an authorized Customer Care® technician. To schedule service, contact us at 1.800.561.3344. Please have serial number and model number available when calling for service.

<b>For The Period Of:</b>	<b>Mabe Will Replace:</b>
One Year From the date of the original purchase	Any part of the refrigerator which fails due to a defect in materials or workmanship. During this limited one-year warranty, Mabe will also provide, free of charge, all labor and related service to replace the defective part.

## What Mabe Will Not Cover:

- Service trips to your home to teach you how to use the product.
- Improper installation, delivery or maintenance.
- Failure of the product if it is abused, misused, or used for other than the intended purpose or used commercially.
- Loss of food due to spoilage.
- Damage caused after delivery.
- Replacement of house fuses or resetting of circuit breakers.
- Damage to the product caused by accident, fire, floods or acts of God.
- Incidental or consequential damage caused by possible defects with this appliance.
- Product not accessible to provide required service.

### EXCLUSION OF IMPLIED WARRANTIES

Your sole and exclusive remedy is product repair as provided in this Limited Warranty. Any implied warranties, including the implied warranties of merchantability or fitness for a particular purpose, are limited to one year or the shortest period allowed by law.

Staple your receipt here. Proof of the original purchase date is needed to obtain service under the warranty.

This warranty is extended to the original purchaser and any succeeding owner for products purchased in Canada for home use within Canada. In-home warranty service will be provided in areas where it is available and deemed reasonable by Mabe to provide. If the product is located in an area where service by a GE Authorized Servicer is not available, you may be responsible for a trip charge or you may be required to bring the product to an Authorized GE Service location.

Warrantor: MC Commercial Inc., Burlington, ON L7R 5B6

# Consumer Support

---

## Appliances Website

Have a question or need assistance with your appliance? Try the GE Appliances Website, any day of the year! For greater convenience and faster service, you can now download Owner's Manuals, order parts or even schedule service on-line at [www.geappliances.ca](http://www.geappliances.ca)

---

## Schedule Service

Expert repair service is only one step away from your door. Get on-line and schedule your service at your convenience any day of the year! Or call 1.800.561.3344 during normal business hours.

---

## Extended Warranties

Please consult your local listings for an extended warranty provider.

---

## Parts and Accessories

Customers in **Canada** should consult the yellow pages for the nearest Mabe service center, visit our website or call 1.800.661.1616.

---

## Contact Us

If you are not satisfied with the service you receive, contact us on our Website with all the details including your phone number, or write to: Director, Consumer Relations, MC Commercial Inc.

Suite 310, 1 Factory Lane  
Moncton, NB, E1C 9M3

---

## Register Your Appliance

**Register your new appliance on-line—at your convenience!** Timely product registration will allow for enhanced communication and prompt service under the terms of your warranty, should the need arise. You may also mail in the pre-printed registration card included in the packing material. [www.geappliances.ca](http://www.geappliances.ca).