



DRYERS

SAFETY INFORMATION2

USING THE DRYER

WiFi Connect 4

Getting Started 4

Artificial Intelligence6

Cycles.....7

Settings8

Options9

Dryer Control - Bluetooth® Pairing 11

Loading12

CARE AND CLEANING13

INSTALLATION INSTRUCTIONS14

Reversing The Door Swing (Optional) .. .32

Stacking (Optional) 34

TROUBLESHOOTING TIPS.....38

LIMITED WARRANTY41

CONSUMER SUPPORT 42

OWNER'S MANUAL & INSTALLATION INSTRUCTIONS

- PFD95
- PFD87
- GFD65
- GFD55
- GFV55

ENGLISH/FRANÇAIS/ESPAÑOL

Write the model and serial numbers here:

Model # _____

Serial # _____

They are on the label on the front of the dryer behind the door.

IMPORTANT SAFETY INFORMATION

READ ALL INSTRUCTIONS BEFORE USING THE APPLIANCE

⚠ WARNING To reduce the risk of fire, explosion, electric shock, or injury to persons when using your appliance, follow basic precautions, including the following:

- Read all instructions before using the appliance.
- **DO NOT** dry articles that have been previously cleaned in, washed in, soaked in, or spotted with gasoline, dry-cleaning solvents, or other flammable or explosive substances, as they give off vapors that could ignite or explode.
- **DO NOT** place items exposed to cooking oils in your dryer. Items contaminated with cooking oils may contribute to a chemical reaction that could cause a load to catch fire. To reduce the risk of fire due to contaminated loads, the final part of the tumble dryer cycle occurs without heat (cool down period). Avoid stopping a tumble dryer before the end of the drying cycle unless all items are quickly removed and spread out so that the heat is dissipated.
- **DO NOT** allow children to play on or in this appliance. Close supervision of children is necessary when this appliance is used near children.
- Before the appliance is removed from service or discarded, remove the door to the drying compartment.
- **DO NOT** reach into the appliance if the drum is moving.
- **DO NOT** install or store this appliance where it will be exposed to the weather.
- **DO NOT** tamper with controls.
- **DO NOT** climb or stand on this unit.
- **DO NOT** repair or replace any part of this appliance or attempt any servicing unless specifically recommended in the user-maintenance instructions or in published user-repair instructions that you understand and have the skills to carry out.
- Follow all fabric care instructions and warnings to prevent melting of garments or damage to the appliance.
- **DO NOT** use fabric softeners or products to eliminate static unless recommended by the manufacturer of the fabric softener or product.
- **DO NOT** dry articles containing foam rubber or similarly textured rubber-like materials.
- Clean lint screen before or after each load.
- **DO NOT** operate the dryer without the lint filter in place.
- **DO NOT** store combustible materials, gasoline or other flammable liquids near the dryer. Keep area around the exhaust opening and adjacent surrounding areas free from the accumulation of lint, dust and dirt.
- The interior of the appliance and exhaust duct should be cleaned periodically by qualified service personnel.
- Unplug the appliance or turn off the circuit breaker before servicing. Pressing the **Power** or **Start/Pause** pad **DOES NOT** disconnect power.
- **DO NOT** operate this appliance if it is damaged, malfunctioning, partially disassembled, or has missing or broken parts, including a damaged cord or plug.
- **DO NOT** spray any type of aerosol into, on or near dryer at any time. **DO NOT** use any type of spray cleaner when cleaning dryer interior. Hazardous fumes or electrical shock could occur.
- See “ELECTRICAL CONNECTION” located in the Installation Instructions for grounding instructions.
- **DO NOT** use replacement parts that have not been recommended by the manufacturer. (e.g. parts made at home using a 3D printer).

Proper Disposal of your Appliance

- Dispose of or recycle your appliance in accordance with Federal and Local Regulations. Contact your local authorities for the environmentally safe disposal or recycling of your appliance.
- Consider recycling options for your appliance packaging material.

READ AND SAVE THESE INSTRUCTIONS

IMPORTANT SAFETY INFORMATION. READ ALL INSTRUCTIONS BEFORE USING THE APPLIANCE

ADDITIONAL GAS DRYER WARNINGS

▲ WARNING  - Fire or Explosion Hazard


Failure to follow safety warnings exactly could result in serious injury, death, or property damage.

- DO NOT store or use gasoline or other flammable vapors and liquids in the vicinity of this or any other appliance.
- WHAT TO DO IF YOU SMELL GAS:
 - DO NOT try to light any appliance.
 - DO NOT touch any electrical switch; DO NOT use any phone in your building.
 - Clear the room, building, or area of any occupants.
 - Immediately call your gas supplier from a neighbor's phone. Follow the gas supplier's instructions.
 - If you cannot reach your gas supplier, call the fire department.
- Installation and service must be performed by a qualified installer, service agency, or the gas supplier.

READ AND SAVE THESE INSTRUCTIONS

Getting started

▲ WARNING To reduce the risk of fire, electric shock, or injury to persons, read the IMPORTANT SAFETY INFORMATION before operating this appliance.

▲ WARNING  - Fire Hazard

- Keep flammable materials and vapors, such as gasoline, away from dryer.
- **DO NOT** dry anything that has ever had anything flammable on it (even after washing).
- No washer can completely remove oil.
- **DO NOT** dry anything that has ever had any type of oil on it (including cooking oils).
- Items containing foam, rubber, or plastic must be dried on a clothesline.
- Failure to do so can result in death, explosion, or fire.

Throughout this manual, features and appearance will vary from your model.

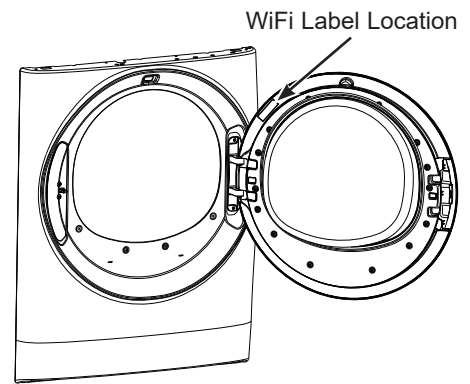
WiFi Connect (For customers in the United States only - on some models)

Your dryer is **GE Appliances WiFi Connect** enabled.

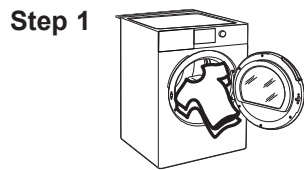
Visit geappliances.com/connect and enter your model number to show you the proper steps to connect your appliance.

Please visit GEAppliances.com/connect to learn more about connected appliance features, to learn what connected appliance App's will work with your smartphone.

WiFi Connectivity: For assistance with the appliance or the **ConnectPlus** network connectivity, please call GE Appliances at **800.220.6899**.



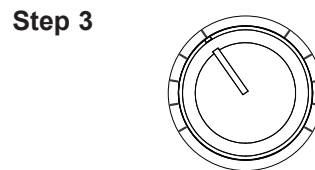
Quick Start:



- Clean lint filter
 - Loosely add items.
 - Close door.
- NOTE:** Dryer will not start with door open.



- If the screen is dark, press the Power pad to “wake up” the display.



- Select a sensor dry cycle. (Defaults are set for each dry cycle. These default settings can be changed. See the cycle descriptions for more information.)



- Press the Start/ Pause pad.

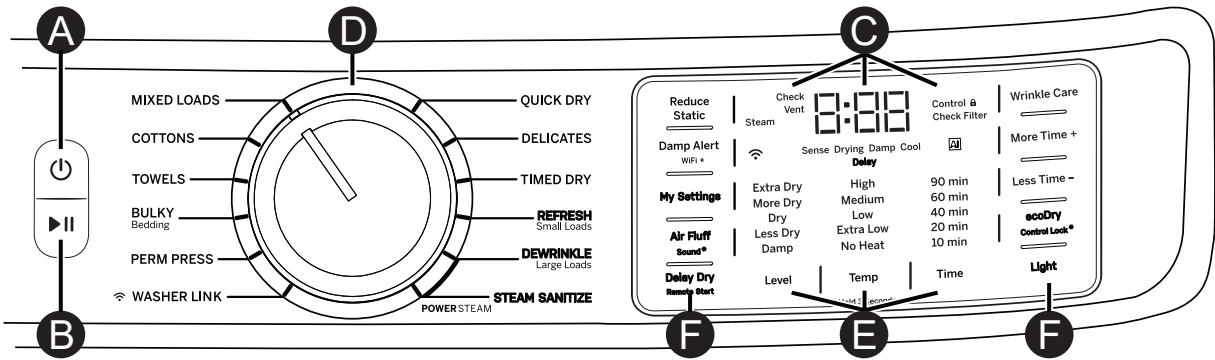
OR

- Select **TIMED DRY** and set Time, Temp and Level.

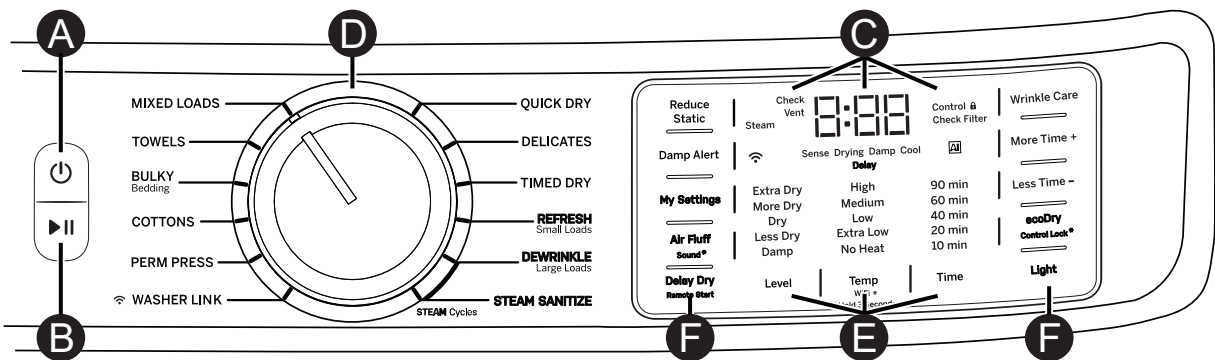
Getting started

Features and appearance will vary.

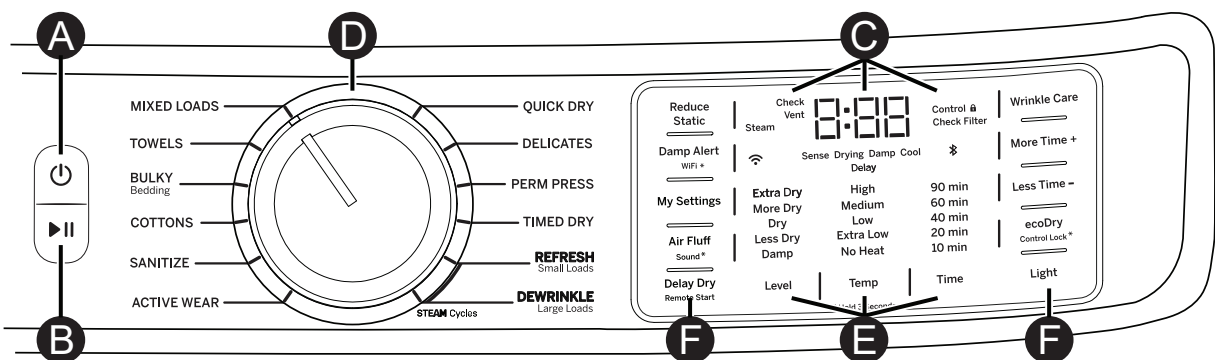
Model:
PFD95



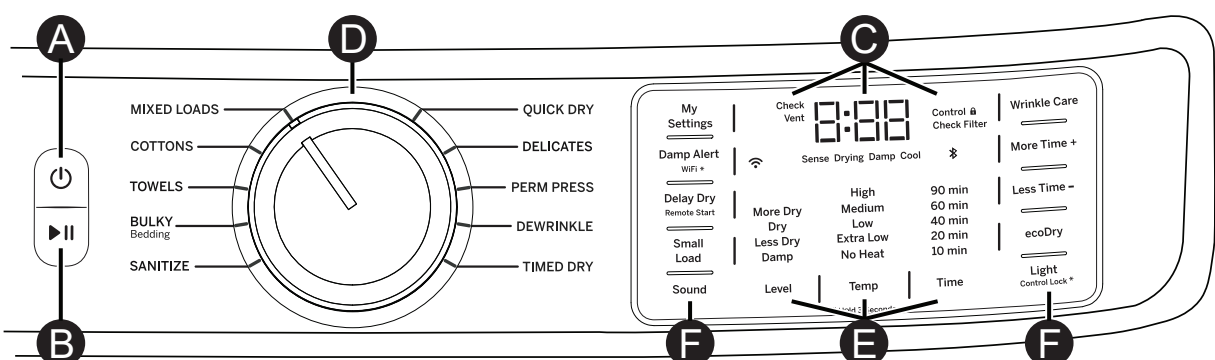
Model:
PFD87



Model:
GFD65







Models:
GFD55
GFV55



Getting started

- A Power**
Press to “wake up” the display. If the display is active, press to put the dryer into idle mode.
NOTE: Pressing **Power** does not disconnect the appliance from the power supply.
- B Start and Pause**
Press **Start** to begin the cycle. **NOTE:** The door must be closed for the dryer to start the cycle. Pressing **Start** again will pause the cycle, the **Start** light may blink and “**Pause**” will display.
To continue the cycle, press **Start** again.
- C Display and Status Lights**
The display shows the approximate time remaining until the end of the cycle. On some models, the dryer cycle status (**Sense, Drying, Damp and Cool**) will be shown.
In addition, the display will show:

 (WiFi) (on some models)	Will allow your appliance to communicate with your smartphone for remote appliance monitoring control and notifications.
Controls 	The dryer is locked - will blink once if you press any pad or turn the cycle knob.
Check Filter	The Check Filter light will stay on for 15 seconds after the cycle stops.
Check Vent	The Check Vent light indicates an issue has been found due to reduced airflow from a possible blocked or restricted vent. Checking and/or cleaning the vent system is recommended. See the, “ Check Vent ” light is on in the Troubleshooting Tips section.
 (on some models)	Your dryer is equipped with Artificial Intelligence capabilities. This indicator will illuminate when Washer Link is active, My Settings are being implemented based on your usage habits and suggested actions are available through the SmarterHQ app.
 (on some models)	This is a pairing feature for use with a compatible Bluetooth® enabled GE Appliances frontload washer. To pair this dryer with the washer, please follow the steps outlined in the washer’s Owner’s Manual. To engage or disengage Bluetooth®, open and close the door three times within 10 seconds when the dryer is powered on but not actively running a cycle.

Getting started

D Drying Cycles	Sensor cycles automatically determine fabric dryness. Timed cycles run for the selected time.
MIXED LOADS	For loads consisting of cottons and poly-blends.
COTTONS	For cottons and most linens. NOTE: ENERGY STAR® models are tested on COTTONS cycle with default settings (Temp setting on High , Level setting on Dry , and ecoDry default on).
TOWELS (on some models)	For most towels and linens.
BULKY Bedding	For large coats, bed spreads, mattress covers, sleeping bags, and similar large/bulky items such as blankets, comforters, jackets, and small rugs.
SANITIZE (on some models)	This option reduces certain types of bacteria including: Staphylococcus aureus, Pseudomonas aeruginosa and Klebsiella pneumoniae. The anti-bacterial process occurs when high heat is used during a portion of the drying cycle; cool down also will be longer to protect you from a hot garment. NOTE: Do not use this cycle on delicate fabrics.
WASHER LINK (on some models)	When selected (and if connected to a compatible washer through WiFi communication) the dryer receives load information from the washer to automatically make cycle, dryness, temperature and time recommendations to optimize drying.
ACTIVE WEAR (on some models)	Clothing worn for active sports exercise and some casual wear. Fabrics include new technology finishes and stretch fibers such as Spandex. Also for clothing labeled Easy Care or Perma Press: For wrinkle-free and permanent press items.
QUICK DRY	For small loads that are needed in a hurry, such as sport or school uniforms. Can also be used if the previous cycle left some items damp, such as collars or waistbands. NOTE: On some models, the time remaining in the cycle will show counting down in the display.
DELICATES	For delicate items, special-care fabrics and knits.
PERM PRESS (on some models)	For wrinkle-free, permanent press and special sports items that need extra drying care.
AIR FLUFF (on some models)	Provides 10 minutes of tumbling time with no heat. NOTE: On models with AIR FLUFF cycle, select TIMED DRY and set Temp to No Heat .
DEWRINKLE (on some models)	For removing wrinkles from items that are dry or slightly damp. This cycle is not recommended for delicate fabrics.
STEAM Dewrinkle (on some models)	For use with larger loads than STEAM Refresh . Ideal for loads left in the dryer for an extended time. STEAM Dewrinkle is recommended for larger loads (9-13 garments). NOTE: Steam cycles are not intended for use with towels. Important - The temperature setting must be set to High and water must be turned on before running the STEAM Dewrinkle cycle.
STEAM Refresh (on some models)	For slightly wrinkled dry garments. Significantly reduces wrinkles. After the STEAM Refresh cycle, the unit will beep (if Sound is selected) and display "00." STEAM Refresh is recommended for small loads (3-5 garments). NOTE: Steam cycles are not intended for use with towels. NOTE: A single extremely light fabric item may need to have an additional item included in the STEAM Refresh cycle to achieve optimum results. Important - The temperature setting must be set to High and water must be turned on before running the STEAM Refresh cycle.
STEAM SANITIZE (on some models)	This cycle will sanitize and remove set-in wrinkles from standard sized loads which are damp from washing and/or rinsing. This cycle reduces certain types of bacteria including: Staphylococcus aureus, Pseudomonas aeruginosa and Klebsiella pneumoniae. This anti-bacterial process occurs when high heat is used during a portion of the drying cycle. NOTE: Do not use this cycle on delicate fabrics. Important - The temperature is set to HIGH and cannot be changed. Water must be turned on for the Steam Sanitize cycle to function properly.

Getting started

- D** **Drying Cycles** Sensor cycles automatically determine fabric dryness.
Timed cycles run for the selected time.

TIMED DRY Use to set your own dry time. To use:

1. Turn cycle dial to **TIMED DRY**.
2. Increase the drying time by pressing the **Time** pad.

NOTE: This pad only increases the time. When max time is reached, pressing the pad again will reset the counter to the lowest setting.

3. Select the **Temp**.
4. Close the door.
5. Press **Start/Pause** pad.

E Settings

Individual settings for cycle minutes (**Time**), dryness level (**Level**) and temperature (**Temp**) can be set from the minimum (lowest in column) to maximum (highest in column). In general, the higher up the column, the more energy will be used. **NOTE:** The selected cycle set **Time** can be further adjusted, in one minute increments, by pressing the **More Time +** and **Less Time -** pads.

Dryness Level - Selection only used for Sensor cycles. Timed cycles run for the selected time.

NOTE: Options for Dryness Levels vary by model. Refer to the control panel on your model or to the control panels shown earlier in this manual.

Extra Dry Use for heavy-duty fabrics or items that should be very dry, such as towels.

More Dry Use for heavy-duty or mixed type fabrics.

Dry Use for a normal dryness level suitable for most loads. This is the preferred cycle for energy savings.

Less Dry Use for lighter fabrics.

Damp For leaving items partially damp.

Temperature

High For regular to heavy cottons.

NOTE: STEAM Dewrinkle and **STEAM Refresh** require the High temperature setting.

Medium For synthetics, blends, delicates and items labeled permanent press.

Low For delicates, synthetics and items labeled tumble dry low.

Extra Low For lingerie and special-care fabrics.

No Heat For fluffing items without heat. For use only with the **AIR FLUFF** cycle.

Getting started

F Options

Reduce Static (on some models)

When selected, the dryer will spray a mist of water onto the load, at the end of the drying cycle, to reduce static. This option is not available with **BULKY**, **SANITIZE** or **STEAM** cycles.

Damp Alert (Damp Alert/WiFi pad) (on some models)

This option causes the dryer to beep when clothes have dried to a damp level. Remove items that you wish to hang dry. The **Damp Alert** will only beep when this option is selected (but the dry cycle will keep running). Removing clothes and hanging them when they are damp, can reduce the need to iron some items.

Delay Dry

Press the **Delay Dry** pad to set the delay start time in 1 hour increments up to 24 hours, and then back to clear (0 hours). After selecting the delay start time, press **Start** and the delay time will count down the time remaining until the cycle starts. **NOTE:** To set the amount of delay time faster, you can press and hold the **Delay Dry** pad.

Delay Dry for WiFi Connected Dryers

You have two options to set **Delay Dry** using your smartphone.

Option 1: Follow **Delay Dry** instructions. You can use the **GE Appliances** Laundry App to adjust the amount of time via your smartphone.

Option 2 - Remote Start: Set your dryer to "AP" using the **Delay Dry** pad. This allows you to use the **GE Appliances** Laundry App via your smartphone to start your dryer remotely at the time of your choosing. If the dryer is set to AP with no activity, it will start the dryer 24 hours later.

Air Fluff (on some models)

Provides 10 minutes of tumbling time with no heat. **NOTE:** On models without **AIR FLUFF** cycle, select **TIMED DRY** and set **Temp** to **No Heat**.

Sound (on some models)

To change the loudness of the end of cycle signal and the press pad volume, press the **Sound** pad as many times as needed to reach the desired volume. On some models there are four sound levels including off, other models have Off/On with press and hold function.

NOTE:

- Remove garments promptly at the sound of signal. Place clothes on hangers so wrinkles will not set in.
- Use the **Sound** especially when drying fabrics like polyester, knits and permanent press. These fabrics should be removed so wrinkles will not set in.

Wrinkle Care

Use this option to minimize the wrinkles in clothes. It provides 1 hour of no-heat tumbling after the clothes are dry. If you are using the cycle **Sound** and you select the **Wrinkle Care** option, a signal will sound at the end of the drying time and several times during the **Wrinkle Care** cycle. This will remind you that it is time to remove the clothes.

More Time + / Less Time -

The selected cycle set **Time** can be further adjusted, in one minute increments, by pressing the **More Time +** and **Less Time -** pads.

ecoDry

Available for **BULKY**, **TOWELS**, **COTTONS**, **MIXED LOADS**, **ACTIVE WEAR** and **DELICATES**. When the **ecoDry** pad is pressed, cycle settings change to reduce the total energy consumption of the selected sensor cycle. **NOTE:** Cycle times will change when **ecoDry** is selected. The **ecoDry** option will default to on for **COTTONS**. For optimal energy savings, turn **ecoDry** on. For optimal drying times, turn **ecoDry** off.

NOTE: Energy savings will vary across loads and cycles.

Getting started

F Options (cont.)

Light (on some models)

The drum light will turn on if the **Light** pad is pressed or the door is opened. It will turn off when the door is shut, the **Light** pad is pressed again or after 5 minutes if the door is left open.

Small Load (on some models)

Select to use for a small load with any sensor cycle (except **SANITIZE**).

My Settings (on some models)

As the cycle selector knob is turned, the **Time** (timed dry), **Level** (dryness level) and **Temp** (temperature) settings change to automatic pre-set default settings. If you desire a different setting, press the appropriate pad(s). Then press and hold the **My Settings** pad for 3 seconds and the dryer will “remember” these settings for that Knob Selection. In the future, when you turn the selector knob to that cycle, your settings will be automatically recalled.

NOTE: Signal sound cannot be set for **My Settings**.

NOTE: On models equipped with **AI** (Artificial Intelligence), **My Settings** may be set automatically based on your usage habits. If you would like to reset this, press and hold **MY Settings** to clear the memory.

Control Lock

You can lock the controls to prevent any selections from being made. Or you can lock the controls after you have started a cycle. Children cannot accidentally start the dryer by touching pads with this option selected.

To lock/unlock the dryer controls, press and hold the **Light** pad for 3 seconds. The control lock icon will flash while locking/unlocking, stay on when locked, and turn off when unlocked.

NOTE: The **Power** pad can still be used when the machine is locked.

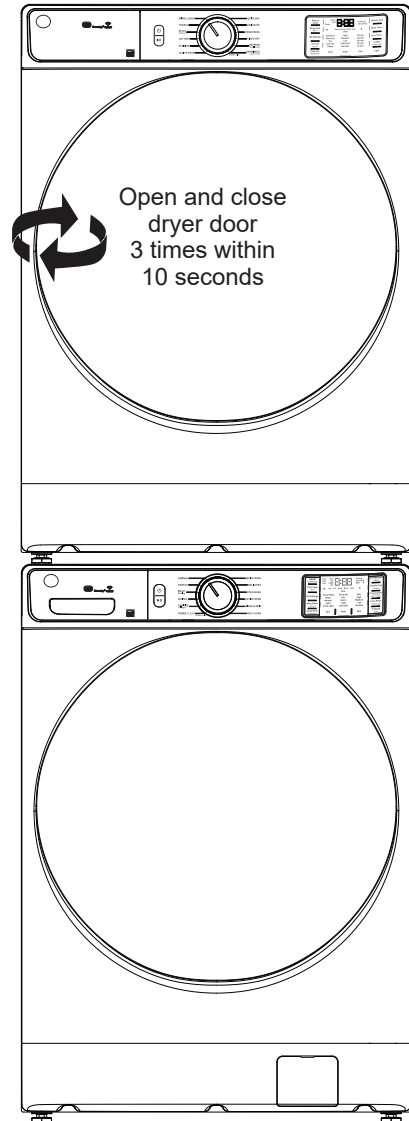
WiFi (Damp Alert/WiFi pad)

Press and hold the **Damp Alert/WiFi** pad for 3 seconds to activate.

Getting started

Dryer Control – Bluetooth® Pairing (on some models)

1. Power on both the **washer** and the **dryer** but do not start any cycles.
2. Press and hold the **Tumble Care** button on the **washer** for 5 seconds until the Bluetooth® LED (📶) starts to flash and you hear an audible tone.
3. Open and close the **dryer** door 3 times within 10 seconds to make it discoverable to the washer.
4. The washer will attempt to discover the dryer, the Bluetooth® icon will flash and both displays will blink “ - - - ”.
5. The Bluetooth® icon on the washer should illuminate solid signifying that the machines are now paired. The display on the washer will display “bt” once pairing is complete.
6. If the Bluetooth® units fail to pair, repeat above steps 1-5.
7. To unpair the machines, press and hold the **Tumble Care** button for 10 seconds or open and close the **dryer** door 3 times within 10 seconds.

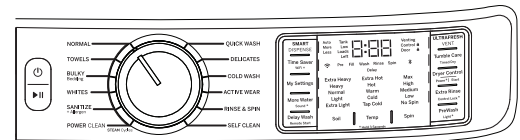


How to use the Dryer Control Feature (on some models)

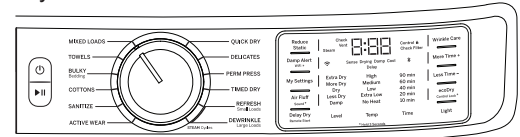
1. Power on the **washer**.
2. Press and hold the **Dryer Control** button on the **washer** for 3 seconds to power on the **dryer**.
3. The **dryer's** cycle selection will flash to display the recommended sensor cycle that pairs to the last completed washer cycle as the **washer** display reads “drY”.
4. To use this cycle, press the **Dryer Control** button to start the **dryer**. The **dryer** can be paused by opening its door or pressing the **Dryer Control** button. To restart the **dryer** with its door closed, press the **Dryer Control** button again.
5. To select **Timed Dry** instead of the sensor dry cycle, press the **Timed Dry** button on the **washer** while the display says “drY”. Repeated presses of this button will step through preset **Timed Dry** times (default is 10 minutes).
6. Once you've selected the **Timed Dry** cycle's duration, press the **Dryer Control** button within 10 seconds to start the dryer.



Washer



Dryer



NOTE: Your **dryer's** control panel is fully functional even when you are using **Dryer Control** through the **washer**.

Powering off the **washer** will not power off the **dryer** when a dry cycle is in progress.

Loading

Always follow fabric manufacturer's care label when laundering.

Sorting and Loading Hints

⚠ WARNING - Fire Hazard

- Keep flammable materials and vapors, such as gasoline, away from dryer.
- **DO NOT** dry anything that has ever had anything flammable on it (even after washing).
- No washer can completely remove oil.
- **DO NOT** dry anything that has ever had any type of oil on it (including cooking oils).
- Items containing foam, rubber, or plastic must be dried on a clothesline.
- Failure to do so can result in death, explosion, or fire.

As a general rule, if clothes are sorted properly for the washer, they are sorted properly for the dryer. Try also to sort items according to size. For example, do not dry a sheet with socks or other small items.

Do not add fabric softener sheets once the load has become warm. They may cause fabric softener stains. Bounce® Fabric Conditioner Dryer Sheets have been approved for use in this dryer when used in accordance with the manufacturer's instructions.

Do not overload. This wastes energy and causes wrinkling.

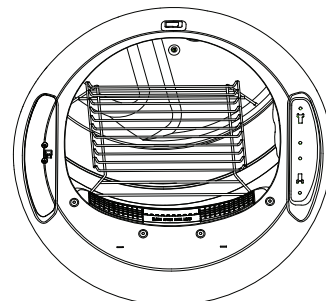
Drying Rack (Available as an option)

A handy drying rack may be used for drying delicate items such as washable sweaters.

To install the drying rack, place the rack all the way into the dryer drum and fit its feet down and securely into place in the dryer.

NOTES:

- The drying rack must be used with the **TIMED DRY** cycle. Use with sensor cycles may result in damp items or extended cycle times.
- Do not use this drying rack when there are other clothes in the dryer.
- If your model did not come with a drying rack, order **WE02X29449** on-line at **GEApplianceparts.com**, 24 hours a day or by phone at **877.959.8688** during normal business hours.



Care and cleaning

Interior and Duct

The interior of the appliance and exhaust duct should be cleaned once a year by qualified service personnel.

The Exhaust Duct: Inspect and clean the exhaust ducting at least once a year to prevent clogging. A partially clogged exhaust can lengthen the drying time.

Follow these steps:

- 1** Turn off electrical supply by disconnecting the plug from the wall socket.
- 2** Disconnect the duct from the dryer.
- 3** Vacuum the duct with the hose attachment and reconnect the duct.

The Exhaust Hood: Check with a mirror that the inside flaps of the hood move freely when operating. Make sure that there is no wildlife (birds, insects, etc.) nesting inside the duct or hood.

Exterior

Wipe or dust any spills or washing compounds with a damp cloth. Dryer control panel and finishes may be damaged by some laundry pretreatment soil and stain remover products. Apply these products away from the dryer. The fabric may then be washed and dried normally. Damage to your dryer caused by these products is not covered by your warranty.

Lint Filter

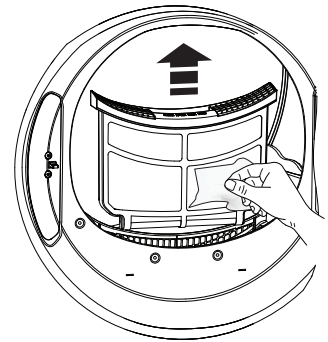
Clean the lint filter before each use.

Remove by pulling straight up. Run your fingers across the filter. A waxy buildup may form on the lint filter from using dryer added fabric softener sheets.

To remove this buildup, wash the lint screen in warm, soapy water. Dry thoroughly and replace.

Vacuum the lint from the dryer lint filter area if you notice a change in dryer performance.

NEVER OPERATE THE DRYER WITHOUT ITS FILTER IN PLACE.



Stainless Steel (on GFD85 & PFD95 models only)

The stainless steel used to make the dryer drum provides the highest reliability available in a GE Appliances dryer. If the dryer drum should be scratched or dented during normal use, the drum will not rust or corrode. These surface blemishes will not affect the function or durability of the drum.

To clean stainless steel surfaces use a damp cloth with a mild, non-abrasive cleaner suitable for stainless steel surfaces. Remove the cleaner residue and then dry with a clean cloth.

Alcosta Aluminized Steel (on all other models)

The steel used to make the dryer drum has an aluminized coating on its surface to prevent it from rusting or corroding. Any surface blemishes will not affect the function or durability of the drum.

To clean the Alcosta surface use a damp cloth with a mild, non-abrasive cleaner suitable for stainless steel surfaces. Remove the cleaner residue and then dry with a clean cloth.

Drum Light (on some models)

The drum light is an LED light. Replacement must be done by a qualified technician.